

The Log Turner



Weight: 2,7 kg
Length: 70 cm.
For logs with a diameter up to 65 cm

- a patented solution for ergonomically correct handling of logs

When a log is to be rolled or turned, no matter if it is on a sawmill, in the forest or when cutting fire wood, this tool will come in handy. You keep the log in a firm grip throughout the entire operation, which prevents the log from rolling back when you take a new grip. You turn it a little at a time and work with your knees. This method spares your back and makes you incredibly strong.

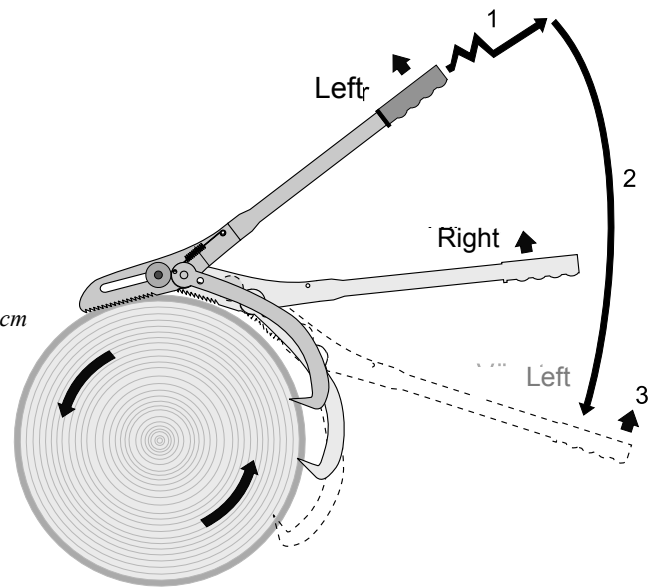
Here are some examples of situations where the Log Turner will facilitate your work:

When rolling a log during loading and unloading. **When lopping a log** and you have to turn it to reach branches. **When felling a tree**; if the tree that is to be felled is caught in another tree you can turn it with great force, and from a safe position, until it falls down. **When rotating logs on sawmills**; when one side of the log is sawn, the log becomes like a cradle and can be hard to overturn. This is no problem for the Log Turner!

❗ The Log Turner's two spring-loaded hooks have to be sharpened occasionally to be able to grab hold of the log easily.

❗ Make sure that the hooks and the coupling between the handles are easy to move. Clean and then lubricate them with motor oil when necessary.

❗ Hold the Log Turner at a right angle to the log, otherwise there is risk that the handles get bent. The Log Turner is dimensioned to have low weight, therefore it is not infinitely strong. If you notice that the handles are bending, you should take a new grip or use another tool.



Rotate the log step by step.

Stand firmly with your back straight. Bend your knees. Work, if possible, with your hands between your knee and waist height. Take new grips at short intervals if this helps to improve your working position.

A. Press the Log Turner against the log so that both hooks open up around the log, and both handles are below waist height. Continuously make sure that the hooks are taking hold of the log properly.

B. Lift both handles approx. 15-20 cm.

Hold the log still with the right handle, while taking a new grip with the left handle as shown below:

1. Jiggle the handle and pull it straight backwards until it comes to its end position.

2. Fold the handle down.

3. Make sure that the left hook takes hold of the log.

C. Lift up the left handle and take a new grip with the right: jiggle and pull it straight backwards, then fold it down.

Continue taking new grips, alternating with right and left handle until you have rotated the log to the desired position.

To remove the Log Turner from the log: Press both handles downwards and turn the log turner sideways.



Safety Instructions



Use protective gloves.



Risk of crush injury.



Always hold the Log Turner in its black handles.

Use protective shoes with steel toe cap.

Take into account that the log can begin to move due to gravity. The Log Turner does not lock the log in the rotation direction. The Log Turner can lose its grip. The Log Turner must not be used for rotating logs on sloping ground or ramps.



Do not use the Log Turner where there is risk of setting other logs, besides the one being rotated, in motion. Keep children and animals at a safe distance.