

LOGOSOL USER MANUAL

TRANSLATION OF ORIGINAL USER MANUAL.
REF. NO: 0458-395-0442



LOGOSOL Speed Saw



Read through the user manual carefully and make sure you understand its contents before you use the machine.



This user manual contains important safety instructions.



WARNING! Incorrect use can result in serious personal injury or even death to the operator or others.

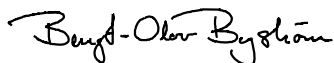
Thank you for choosing a LOGOSOL machine!

Welcome! We are very pleased that you have demonstrated your confidence in us by purchasing this machine. We will do our utmost to meet your expectations.

LOGOSOL has been manufacturing wood processing machines since 1988, and since then we have supplied approx. 30 000 machines to satisfied customers worldwide

We care about your safety as well as we want you to achieve the very best possible results from your machine. We therefore recommend that you take the time to read this user manual from cover to cover before you begin sawing. Remember that the machine itself is just part of the value of the product. Much of the value is also to be found in the expertise we pass on to you in the user manual. It would be a pity if that were not utilized.

We hope you get a lot of satisfaction from the use of your new machine.



Bengt-Olov Byström
Founder and Chairman of the Board
LOGOSOL AB, Härnösand, Sweden



LOGOSOL is engaged in continuous development of its products. We must therefore reserve the right to change the design and form of our products.

Text: Mattias Byström

Translation: Anna Byström Olsgrén

Document: Logosol Speed Saw Manual

Illustrations: Erik Svensson

Last revised: December 2016

Manual, ref. no: 0458-395-0440

© 2013 LOGOSOL, Härnösand Sweden

Table of contents

Safety instructions	4
Overview	5
Machine description	8
Tools required	8
Assembly	9
Lifting instructions & set-up	14
Installing guide bar & chain	14
Chain lubrication & water cooling	15
Adjustable slide profiles	15
Sawing with the Logosol Speed Saw	16
Cutting equipment	16
Storing the electric saw	16
Electrical system	17
Servicing and maintenance	17
Troubleshooting table	18
Technical data	19
CE Declaration of conformity	20

SAFETY INSTRUCTIONS

KEY TO SYMBOLS



For your own safety, read through the entire user manual carefully and do not start the machine before you have understood everything.



Use approved ear protectors and protective eyewear. Hearing can be damaged even after short periods of exposure.



WARNING! Cutting tools. Careless use can lead to life-threatening injuries. Never touch the Speed Saw when it is running.



This symbol means “**WARNING!**” and is always followed by information about the relevant risk. Pay particular attention when this symbol appears in the manual text.



This symbol is followed by a prompt. Pay particular attention when this symbol appears in the manual text.



WARNING! Risk of serious injury. Read through the user manual carefully before using the electric saw. Failure to observe the safety instructions may result in fatal injuries.



WARNING! Risk of serious injury. LOGOSOL E5/E8 SpeedSaw is designed exclusively for rip sawing with the LOGOSOL Sawmill. Incorrect use can cause serious body injuries. Make sure that you are fully concentrated and careful when you are using the saw unit.

Fit support legs under the guide rail before pushing the saw unit onto the sawmill. Without support legs, the LOGOSOL Sawmill will tip over if there is no load on the log beds.



Always make sure that the saw unit is pushed fully into position on the guide rail before connecting the electric cable. All plastic profiles have to clasp the guide rail flanges, otherwise the saw unit can be thrown off when you start it.



Make sure that the power cable can run freely along the entire sawmill length. Do not tread on the power cable. Preferably, the power cable should be suspended by a wire above the sawmill.



Turn the saw unit off after each saw cut.



The LOGOSOL sawmill together with the electric saw unit is a one-person machine. Respect the safety distances to avoid injury from high noise levels and from chain thrown-off in the direction of the guide bar if the chain breaks.



Never work alone and make sure there are other persons within earshot who you can summon if you need help.



Always wear protective clothing and use personal protective equipment: Close-fitting work overalls are appropriate. Never operate the unit wearing loose-fitting clothes, overall coats or similar.



Use safety shoes with high-grip soles and steel toecaps. Neckerchiefs, ties, jewellery or other items that can get caught in the equipment are not to be worn.



WARNING! Rotating saw chain. Risk of cut injuries. Never reach over or under the guide bar of the LOGOSOL Sawmill while the machine is running. The saw chain and other rotating parts are accessible from the guide bar side, the operator side and the sawdust outlet.



WARNING! Risk of cut injuries. Wear strong protective gloves when handling the guide bar and the saw chain. Cutting equipment can also be hot immediately after sawing.




Never leave the saw unit with the power cable connected in such a way that unauthorized persons can start it.



After service, the machine should be restored to its original condition. Only use original spare parts.

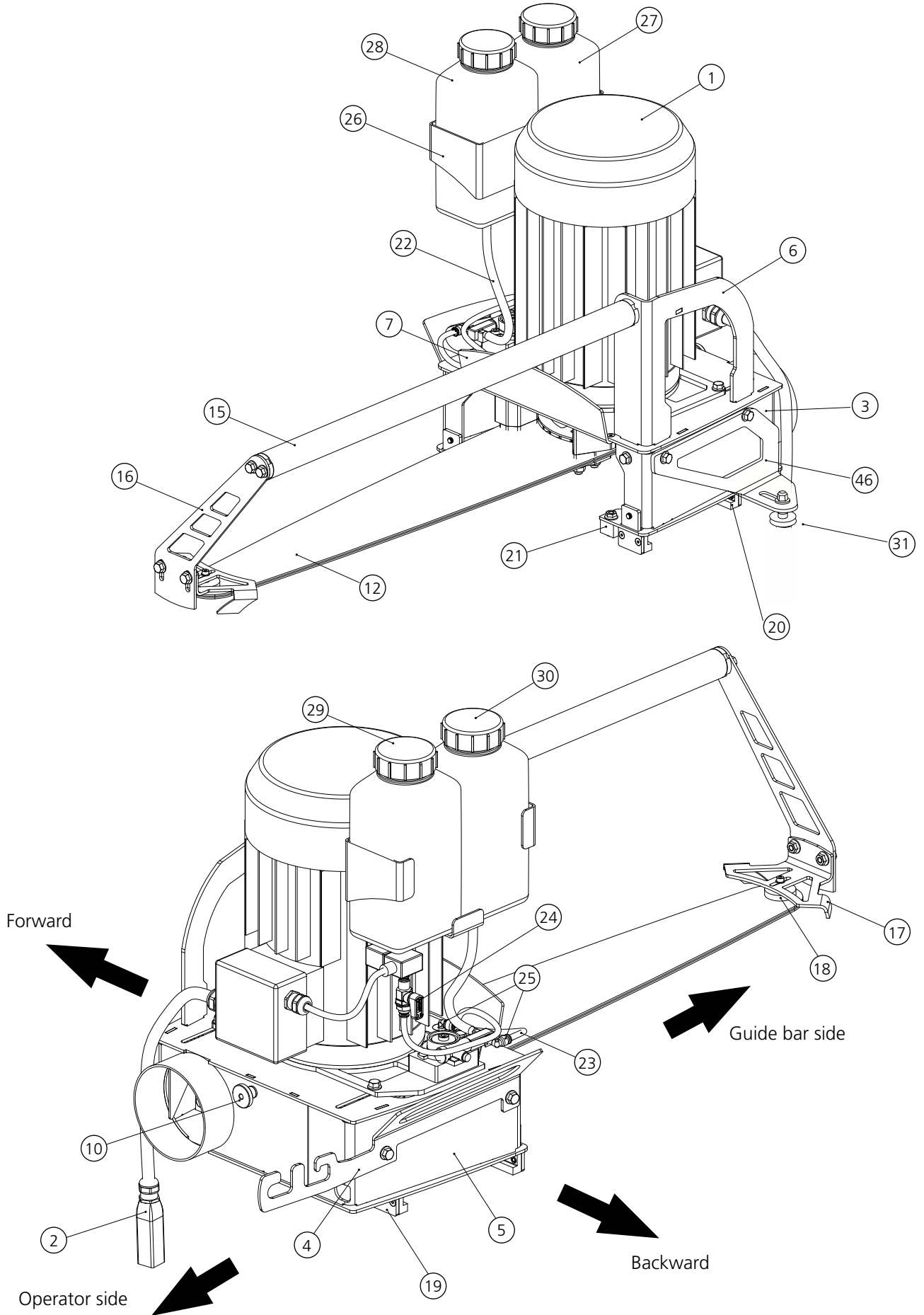


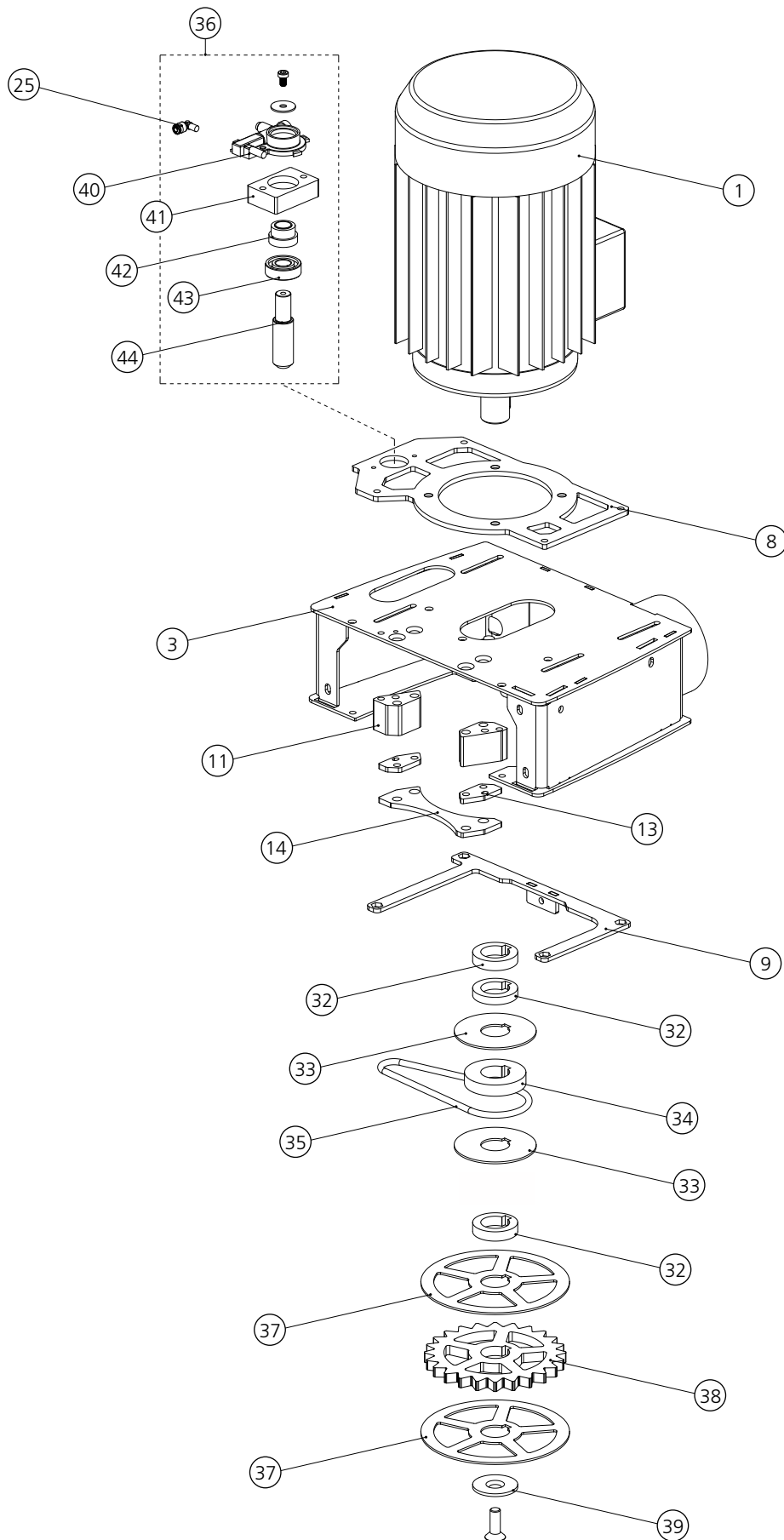
Always disconnect the power before:
 ... changing guide bar and chain.
 ... adjustments, cleaning or other servicing.
 ... touching the moving parts of the saw.
 ... lifting the saw unit from the sawmill

.....
 Hearing can be damaged by just short exposures to the high frequency noise of the motor and the cutting equipment.

ÖVERSIKT

- 6608-000-3005 E8 Speed Saw 400V
- 6608-000-3010 E8 Speed Saw 230V
- 6608-000-3020 E5 Speed Saw 400V
- 6608-000-3025 E5 Speed Saw 230V
- 1. 8000-001-0535 Motor, 4 kW
6600-001-6105 Motor, 8 kW
- 2. 6608-001-0003 Electric cable with plug (male)
- 3. 6608-001-3000 Chassis
- 4. 6608-001-3005 Handle/cable holder
- 5. 6608-001-3150 Machine label
- 6. 6608-001-3025 Left handle
- 7. 6608-001-3090 Sawdust guard
- 8. 6608-001-3035 Motor mount
- 9. 6608-001-3040 Chain tensioner
- 10. 6608-001-0140 Knob, chain tensioner
- 11. 6608-001-3095 Guide bar spacer (2x)
- 12. 3008-010-3050 Guide bar 50 cm
3008-010-3070 Guide bar 70 cm
- 13. 6608-001-3085 Guide bar plate (2x)
- 14. 6608-001-3080 Cover plate
- 15. 6608-001-3105 Tube, bar nose steering
- 16. 6608-001-3110 Bracket, bar nose steering
- 17. 6608-001-3100 Mounting plate
- 18. 6605-001-0225 Magnet, bar nose steering
- 19. 6608-001-3015 Foot (4x)
- 20. 6608-001-3010 Vertical guide (4x)
- 21. 6608-001-3020 Horizontal guide (3x)
6608-001-3022 Guide
- 22. 6605-001-0060 Tube 5 mm, rubber
- 23. 6608-001-0310 Tube 5 mm, plastic
- 24. 6608-001-0305 Tap, water cooling
- 25. 6608-001-3030 Fitting, angled (2x)
- 26. 6608-001-3070 Bottle holder
- 27. 6605-010-3060 Water bottle E5, complete
6605-010-3070 Water bottle E8, complete
- 28. 6605-010-3050 Oil bottle, complete
- 29. 6605-001-0017 White bottle cap
- 30. 6605-001-0022 Black bottle cap
- 31. 6608-001-3160 Guide wheel
- 32. 6608-001-0020 Spacer 10 mm (3x)
- 33. 6608-001-0485 Belt guide (2x)
- 34. 6608-001-0475 Sheave, oil pump
- 35. 6608-001-0490 Round belt
- 36. 6608-001-3450 Oil pump, complete
- 37. 6608-001-3050 Chain guide (2x)
- 38. 6608-001-0035 Chain sprocket, 24t
- 39. 6608-001-0045 Washer, motor shaft
- 40. 9999-310-6020 Oil pump
- 41. 6608-001-3065 Bearing housing, oil pump
- 42. 9999-000-6021 Worm gear, oil pump
- 43. 6608-001-3055 Ball bearing, oil pump
- 44. 6608-001-3060 Oil pump shaft
- 45. 9321-634-0010 Tube clamp
- 46. 6608-001-3165 Guide wheel bracket





MACHINE DESCRIPTION

The Logosol Speed Saw is a chainsaw unit that is designed to be used on the LOGOSOL sawmills M8 and Farmer's Sawmill.

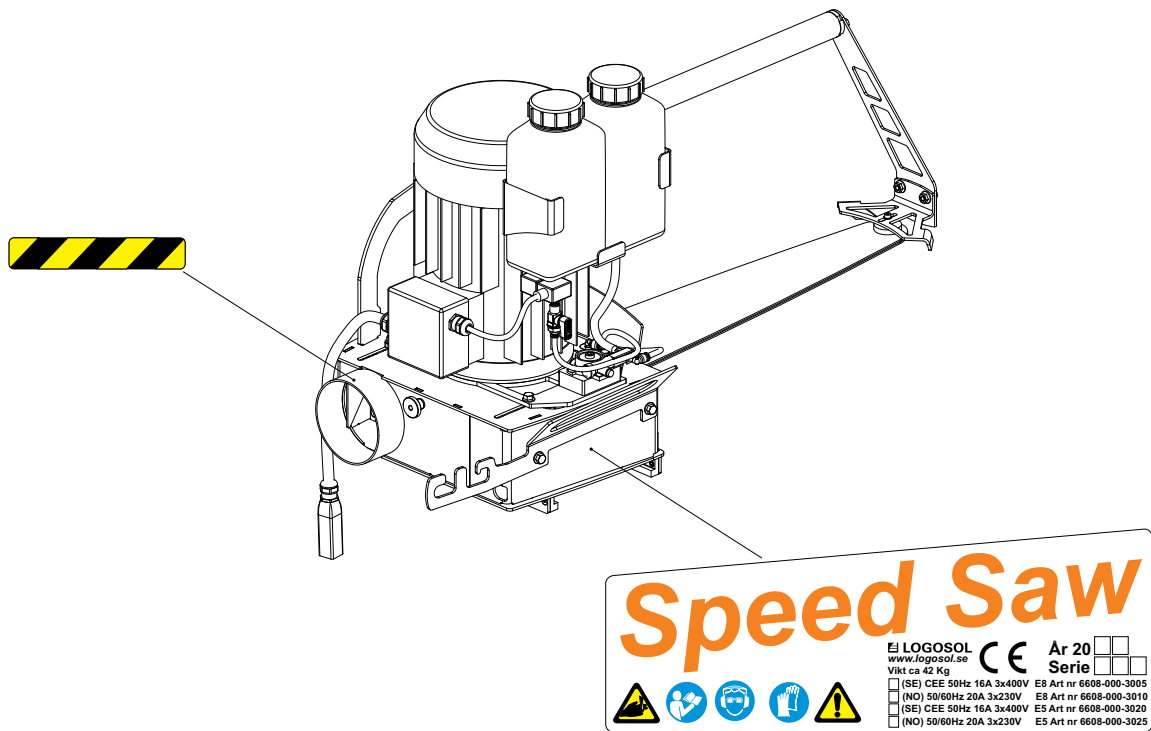
The sliding elements, which fit on the sawmill guide rail, are integrated in the structure. The saw unit is driven by an electric motor, which transmits power to the chain via a large chain sprocket.

The guide bars that are to be used, are specially adapted for the Speed Saw, and supplied by LOGOSOL in different lengths.

A solenoid valve controls the water flow on the E8 Speed Saw. Besides this, the Speed Saw has no electrical system, so it has to be connected to a manual feed unit (ref. no. 6000-000-6005 or an E37 automatic feed unit (ref. no. 6600-000-3015).

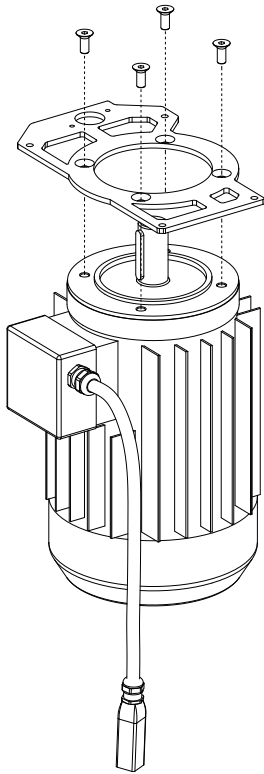
The Speed Saw is equipped with a mechanical pump that supplies the guide guide bar with chain oil.

LABELLING OF THE MACHINE



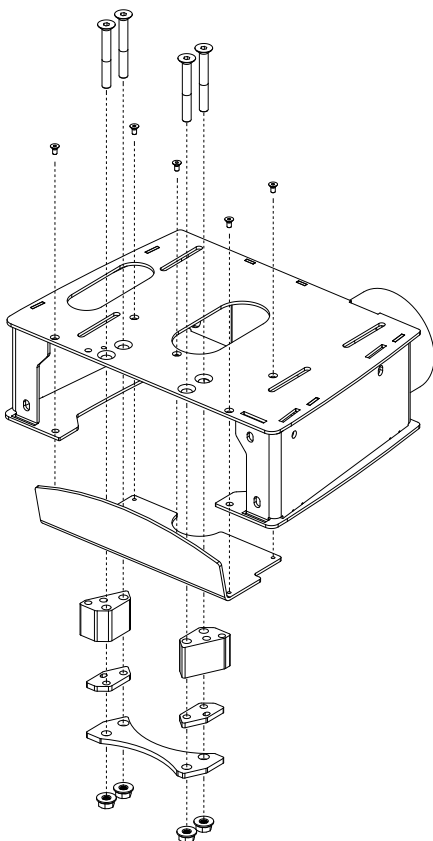
TOOLS REQUIRED

- Allen key 2.5 mm
- Allen key 4 mm
- Allen key 5 mm
- Allen key 6 mm
- Socket spanner with extension and 10 mm hex socket
- 7 mm combination spanner
- 8 mm combination spanner
- 10 mm combination spanner
- 13 mm combination spanner
- Flathead screwdriver

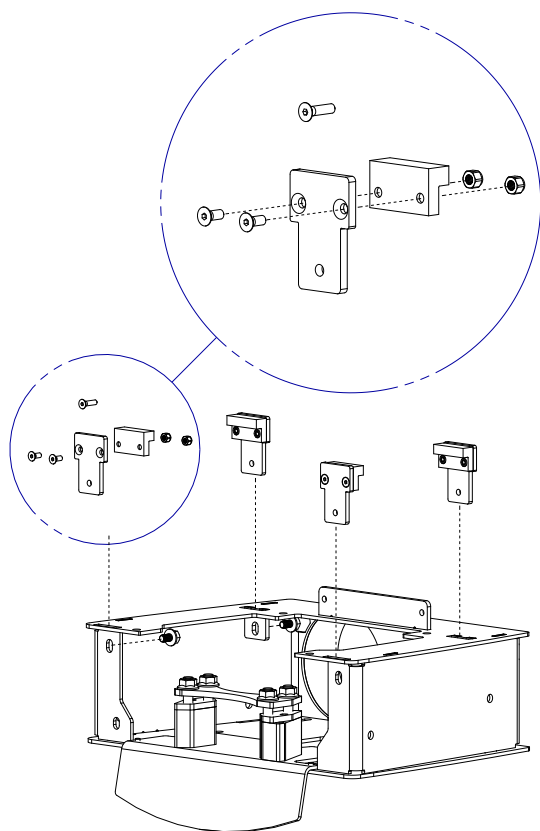
ASSEMBLY

1. Place the motor on a table with the motor shaft pointing upwards. Fit the motor mount (8)* with four M8x20 countersunk Allen bolts. Use medium strength threadlocker and torque the bolts to 25 Nm. Note the positioning of the motor mount in relation to the motor, the junction box and the connection cable.

* Position no. in the illustrations on pp.6-7.

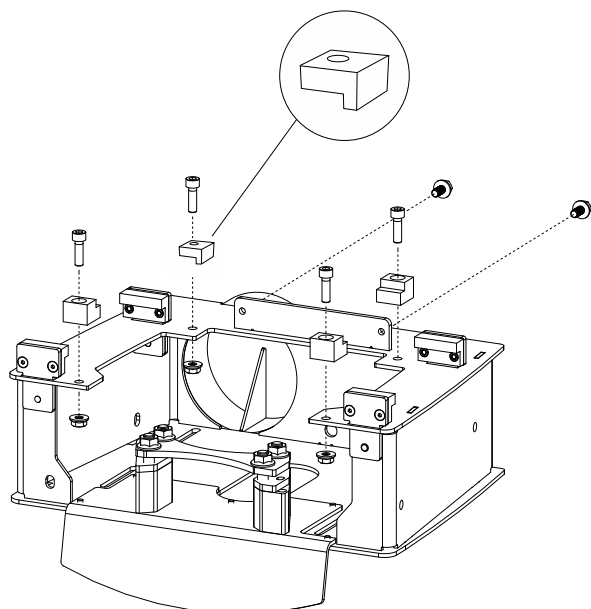


2. Fit the sawdust guard (7) to the chassis (3). Use five M4x8 countersunk Allen bolts. Then, install the guide bar spacers (11) and the guide bar plates (13) using four M8x65 countersunk Allen bolts. Tighten the bolts firmly. Install the cover plate (14) and thread four M8 flange nuts (Tensilok) onto the ends of the Allen bolts. Leave a 5 mm play between the guide bar plates and the cover plate, so that the guide bar (12) easily can be installed later.



3. Press the eight M4 lock nuts into the vertical guides (20). Use the supplied M4x16 countersunk Allen bolt. Use the foot plate (19) as a counterhold. At the start, the nut has to be held by a 7 mm combination spanner in order not to rotate. Tighten until the nut fully touches the bottom. Then, unscrew the bolt and replace it with a M4x8 countersunk Allen bolt, as in the illustration.

Turn the chassis upside down and install the assembled "feet" in the four slots. Secure them with M6x8 flange hex bolts (Tensilok).

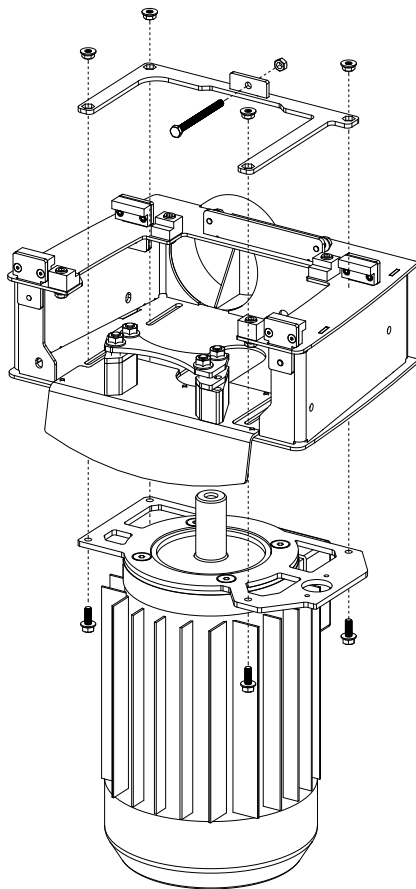


4. Fit the four horizontal guide blocks (21) to the chassis (3). Use M6x20 Allen bolts and M6 flange nuts.

Then, install two M6x12 flange hex bolts in the chassis attachment plate on the back. Do not tighten them completely, but leave a gap of about 5 mm between the bolt heads and the plate. This will be the attachment point for the feed wire holder of the sawmill feed unit*, which is to be pushed into the gap and then secured with the bolts.

* Manual feed unit: ref. no. 6600-000-3015.

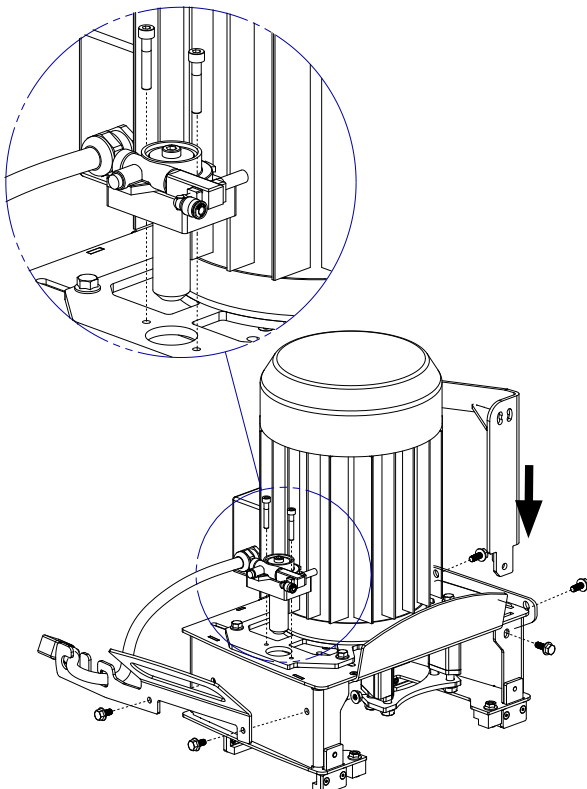
* Automatic feed unit E37: ref. no. 6600-000-3015.



5. Place the chassis (3) on the motor mount (8) as in the illustration. Install a fully threaded M6x75 hex bolt in the chain tensioner (9) and fasten it with an M6 nut, as in the illustration.

Position the chain tensioner (9) in such a way that the hexagonal holes come above the four long slots in the chassis (3) and the long, fully threaded M6 bolt protrudes through the hole in the centre of the back of the chassis.

Assemble the chassis (3), the chain tensioner (9) and the motor mount (8) using four M6x20 flange hex bolts, which are to be installed upside down in the hexagonal holes in the chain tensioner (9).



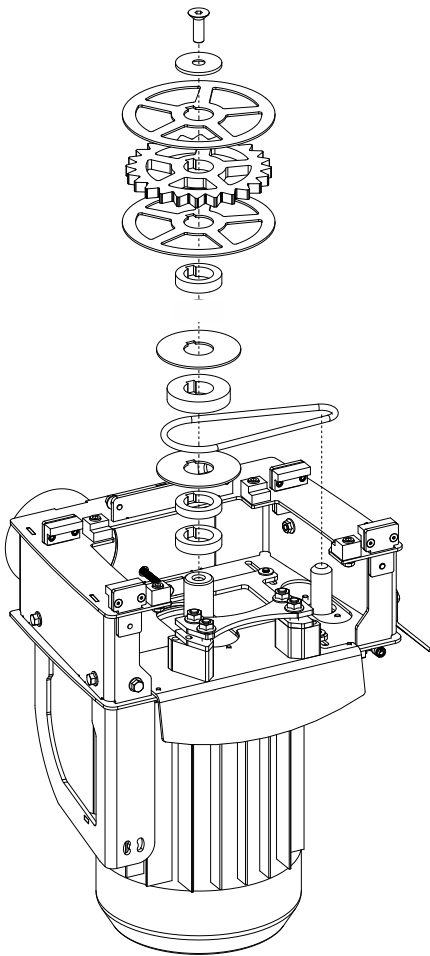
6. Turn the saw unit around, so that it stands on its "feet".

Take the oil pump (36) and insert its shaft through the hole in the motor mount (8). Secure the pump with two M5x30 Allen bolts (as shown in the enlargement in the illustration).

Fit the handles (4, 6) and the guide wheel bracket (31) to the chassis (3) using a total of five M6x20 flange hex bolts and M6 flange nuts (Tensilok).

The projecting "hook" of the rear handle works as a strain relief for the electric cable of the feed unit.

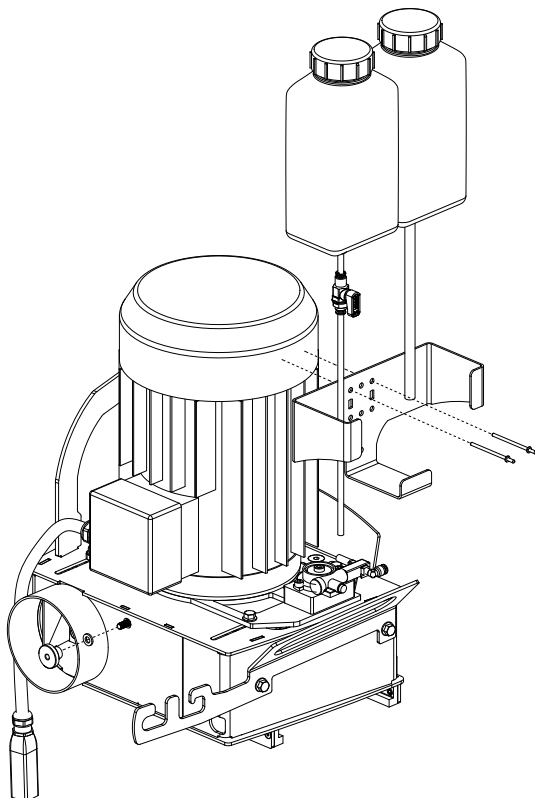
Thread the motor connection cable through the handle, as shown in the illustration. This works as a strain relief.



7. Turn the machine upside down and install the following components on the motor shaft in this order: two 10 mm spacers (32), belt guide (33) and oil pump sheave (34). Then, fit the round belt (35) between the sheave and the oil pump shaft (44).

Continue with the other belt guide (33), 10 mm spacer (32), chain guide (37), chain sprocket (38), chain guide (37) and, lastly, the motor shaft washer (39).

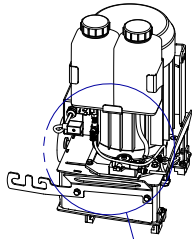
Lock the sprocket with a screwdriver or another suitable tool, and secure everything with an M10x30 countersunk Allan bolt. Use medium strength threadlocker and torque it to 25 Nm.



8. Rivet the bottle holder to the motor (26) using the two supplied rivets. On the 8 kW motor you have to drill two holes. On the 4 kW motor you can use one of the holes that hold the fan cover in position, and only one new hole has to be drilled.

Put the bottles (27 & 28) in the holder. The oil bottle (28), with a black cap (30) and a rubber tube (22), is to be placed closest to the guide bar.

Fit an M6 washer and the chain tensioner knob (10) on the hex bolt on the chain tensioner (9), which sticks out on the back of the saw unit.



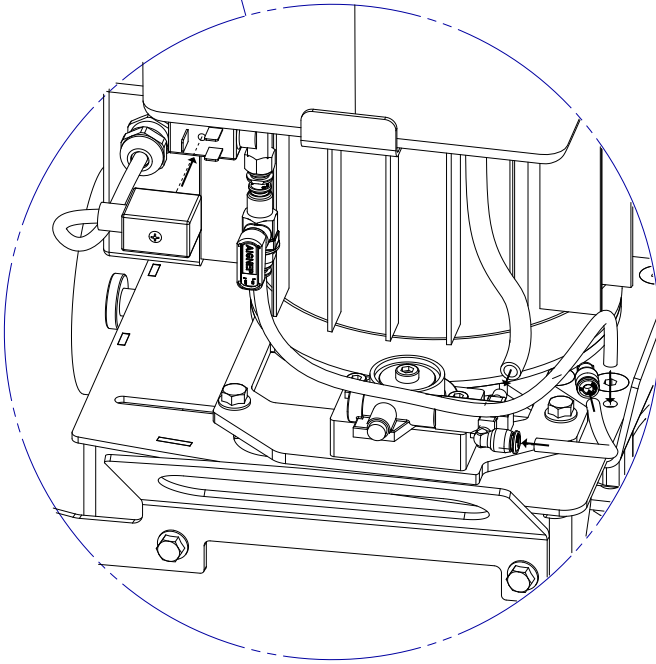
9. Connect the rubber tube (22) from the oil bottle (28) to the inlet of the oil pump (37). Secure the tube to the oil pump inlet with a tube clamp (45).

Screw a 90-degree tube fitting (25) to the chassis (3) and connect the short tube (23) between the oil pump (37) and the tube fitting on the chassis.

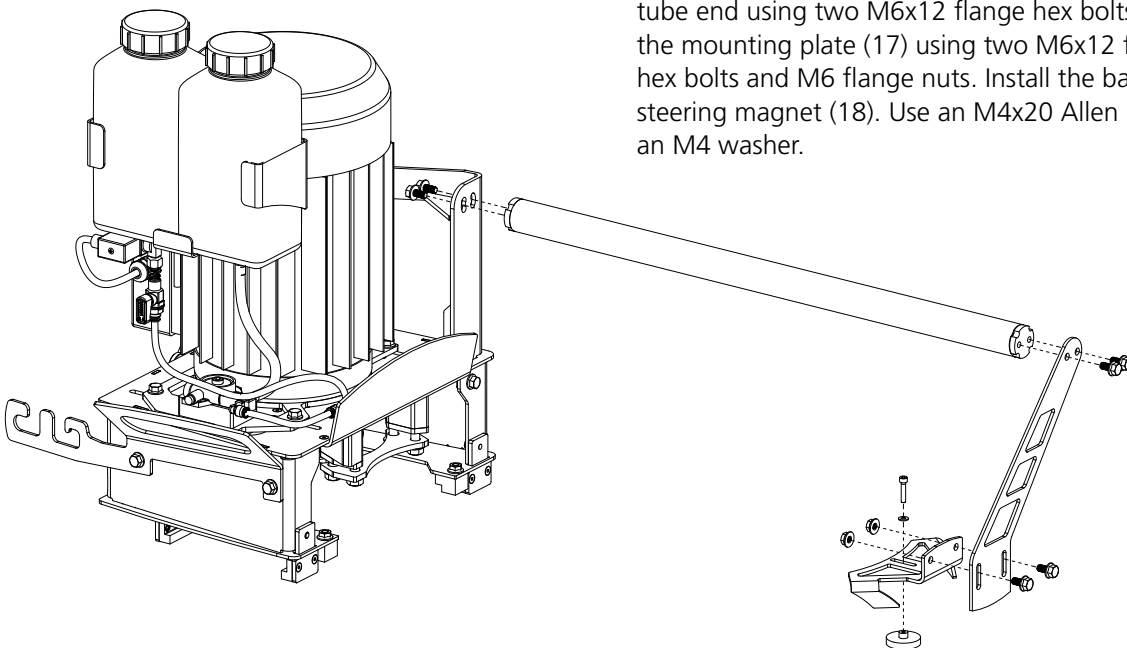
Insert the tube from the water bottle (27) into the hole in the chassis.

E8 Speed Saw:

Connect the connector to the solenoid valve and tighten the screw in the connector.



10. Fit the bar nose steering tube (15) to the handle (6) using two M6x12 flange hex bolts. Then, screw the bar nose steering bracket (16) to the other tube end using two M6x12 flange hex bolts, and the mounting plate (17) using two M6x12 flange hex bolts and M6 flange nuts. Install the bar nose steering magnet (18). Use an M4x20 Allen bolt and an M4 washer.



LIFTING INSTRUCTIONS & SET-UP

⚠ WARNING! Risk of cut injury. Fit the guide bar and chain after the saw unit has been mounted on the LOGOSOL Sawmill or the Farmer's Sawmill. The Speed Saw should be mounted on the sawmill guide rail before power is connected to the machine.

❗ Make sure that the chain equipment is locked before lifting the saw unit. The saw unit weighs approx. 40 kg. Best is if you have another person helping you lift the saw onto the ramp and hold it steady until it is correctly pushed onto the sawmill guide rail. Carefully slide the saw onto the guide rail so that the track in the plastic slide profiles clasps the edges of the guide rail.

❗ Make sure that the slide profiles of the Speed Saw shut tightly around the edges of the guide rail on all four corners before guide bar and chain are fitted and power is connected.

The Speed Saw can be driven by electric or manual feed. In both cases a wire holder is fitted to the rear edge of the Speed Saw. Read the user manuals for the electric feed unit E37 and for the manual feed unit for further instructions on connection and operation.

⚠ WARNING! Risk that the sawmill tips over.

The sawmill has to be secured to the ground and equipped with support under both ends of the guide rail. The feed unit's support leg should be secured to the ground, and the support leg (ref. no. 6600-000-3001) on the other side of the guide rail should also be secured to the ground.

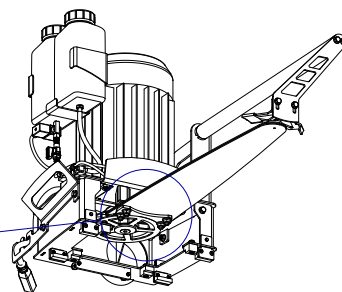
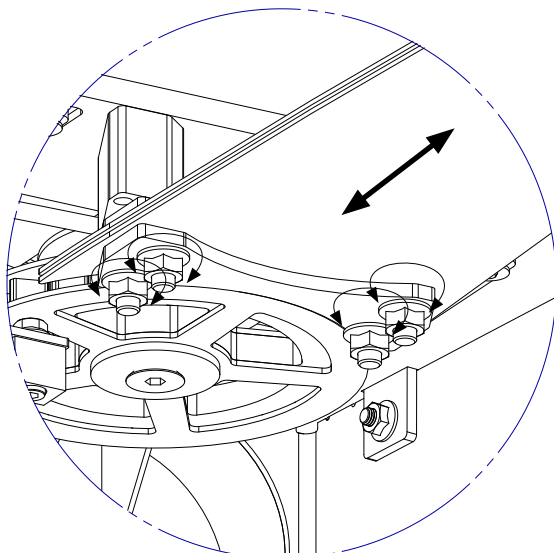
Before the Speed Saw is removed from the guide rail, the power must be disconnected, the wire holder unscrewed and the guide bar removed.

INSTALLING GUIDE BAR & CHAIN

⚠ Make sure that the power cable is unplugged.

- Loosen the flange nuts underneath the cover plate until the guide bar can be inserted between the guide bar plates and the cover plate. Make sure that there is no sawdust or dirt between the guide bar plates and the cover plate. Push the guide bar all the way in, until it stops. Tighten the flange nuts to 25 Nm.
- At the back of the saw unit, loosen the chain tensioner knob about 3 cm. Loosen the motor mount's four hex bolts, which clamp the motor mount against the saw chassis, and push the motor towards the guide bar.

- Hold the chain so that it forms a loop.
- Lift up the chain and fit it around the chain sprocket under the motor.
- Gently pull the chain so that the sprocket rotates, and check that the chain lies correctly on the teeth of the sprocket.
- Fit the chain in the guide bar groove and push the motor back in place. Tighten the chain a final time with the chain tensioner knob until the chain is sufficiently tensioned.
- Secure the motor with the four hex bolts that clamp the motor mount against the saw chassis.



.....
 • *Correct chain tension: If you hold the chain between your thumb and forefinger, you should be able to pull the chain out from its groove at the middle point of the bar. When releasing the chain it should snap back into the groove in the bar. A new chain slackens quickly. Tighten a new chain after the first and the second saw cut.*

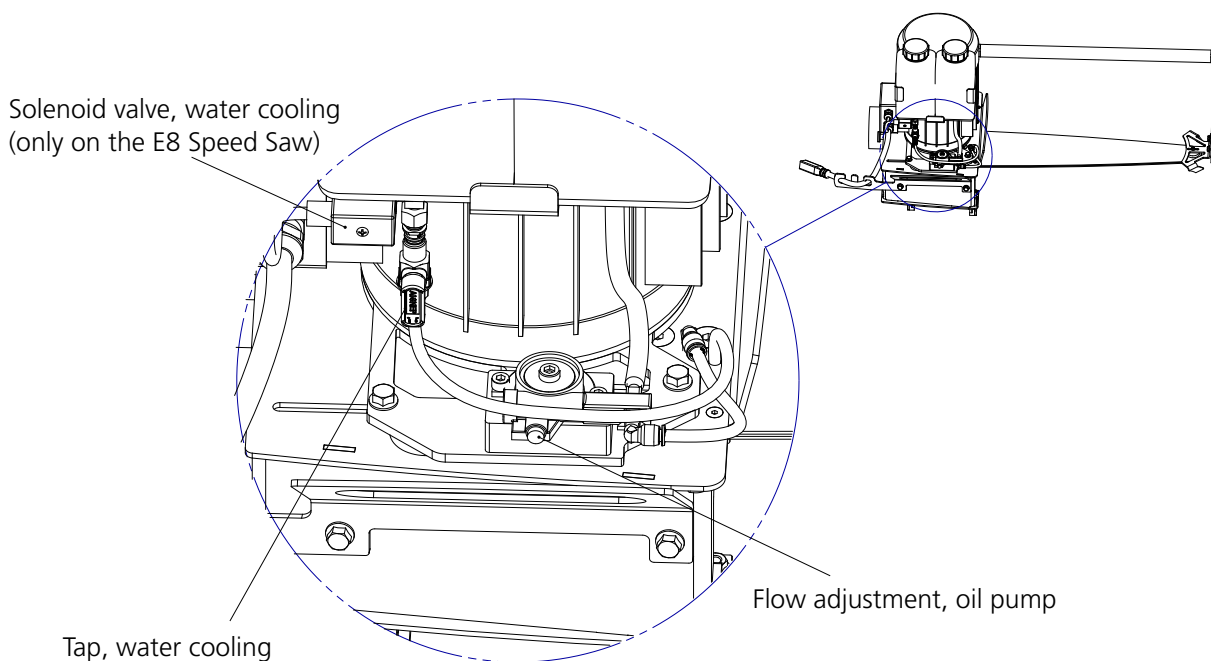
CHAIN LUBRICATION & WATER COOLING

The LOGOSOL Speed Saw is equipped with a mechanical oil pump. The pump is driven by a round belt between the pump and a sheave on the motor shaft. This ensures a constant and steady flow of saw chain oil when the motor is running.

The oil flow can be adjusted on the oil pump with a flathead screwdriver. Use a saw chain oil of good quality (ref. no. 0718-00-1001) to get best the performance and a long life of the guide bar and chain.

On the **E5 Speed Saw** the water cooling is completely manually controlled. Open the tap to make water drip down on the bar when you are sawing dry wood or taking very wide cuts. Even a low water flow of 1-2 drops per second gives a considerable cooling effect, but naturally, the more water the better cooling.

The **E8 Speed Saw** is equipped with an electric solenoid valve that cuts the water supply when the motor is not running. During operation, the flow is adjusted with a tap, just as on the E5 Speed Saw.

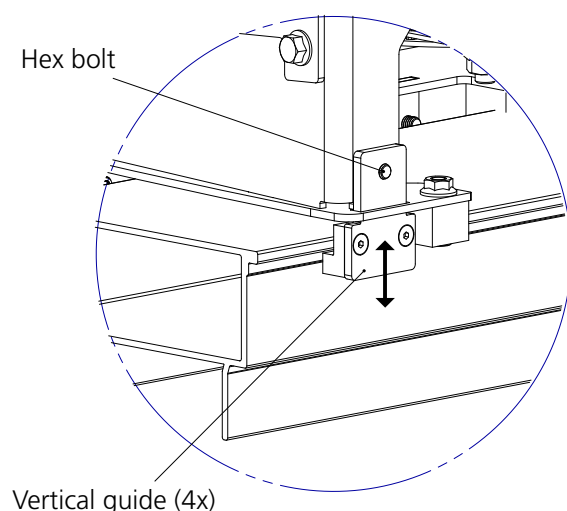


ADJUSTABLE SLIDE PROFILES

The Speed Saw has adjustable slide profiles/guides. These make it possible to adjust the vertical play between the electric saw unit and the guide rail of the LOGOSOL Sawmill. Adjustments should only be made when the saw unit is mounted on the guide rail of the LOGOSOL Sawmill.

Loosen the hex bolts that hold the vertical guides and adjust the play. Reduce the play as long as the saw unit slides without difficulty along the whole length of the guide rail. If it is difficult for the saw unit to slide at any point of the guide rail, you can increase the play a little. Repeat the procedure on all four vertical guides.

Note that there should always be a certain degree of play. Lateral play has no effect on the result.



SAWING WITH THE LOGOSOL SPEED SAW

BEFORE EACH WORK SESSION

- Make sure that the saw is correctly mounted on the guide rail.
- Make sure that the guide bar and chain are in good condition.
- Fit the saw chain and make sure that it runs easily and is correctly tightened.
- Check the chain oil level and refill if necessary.
- Make sure that the power cable is in good condition.

AFTER EACH WORK SESSION

- Disconnect the power by pulling out the power cable plug.
- Remove the saw chain.
- Clean the Speed Saw with compressed air e.g., and Universal oil (ref. no. 9999-000-5105). The oil is dirt dissolving and protects against corrosion. A clean motor is more easily cooled and more efficient

CUTTING EQUIPMENT

! Due to the high output of the motor, it is important that you immediately stop sawing when the chain loses its sharpness. Even a few seconds of sawing with a dull chain will expose the bar to heavy wear and the chain will be overheated, after which it cannot regain its sharpness.

Tip: Grind the bar rails often to prevent them from being unevenly worn. This way the guide bar will last longer and you get a better result.

For more information, read the booklet *The Handbook for Your Cutting Tools*, which can be downloaded without cost from the LOGOSOL website.

<http://www.logosol.com>

STORING THE ELECTRIC SAW

Cover the Speed Saw and the feed unit with a rain cover if the saw unit is stored outdoors.

Empty the water system of water if there is risk of ice formation.

Vegetable oil can harden over time and cause problems in the oil system. When you know that you are not going to saw for a couple of months, empty the oil bottle of vegetable chain oil and fill it with a small amount of mineral oil or synthetic oil.

Electric motors should be stored in a heated room to prevent condensation in the motor housing, which occurs due to temperature changes. If the motor is stored outdoors for a longer period of time, you should check that there is no water in the motor before it is connected to electricity. The motor is equipped with a drain plug.

ELECTRICAL SYSTEM

⚠ WARNING! Only a qualified electrician may open the electrical system.

The Speed Saw has no electrical system of its own. Therefore, it has to be connected to a feed unit equipped with a starter.

The motor is a three-phase 220/400V motor. The motor is to be connected to the phases in the usual way, depending on which voltage it will be driven by.

The electric motor is equipped with overheating protection, which is connected to the terminal block of the motor. This must be connected in series with the hold circuit. Read the instructions for the feed unit.

The Speed Saw periodically consumes a lot of electricity, so it is crucial that the electrical equipment is in perfect condition. We recommend that you buy a new power cable to reduce the risk of poor power supply. A damaged cable gives you lower output and can damage the motor and the contactors.

Be careful with the power cable that you use for the saw. Never tread on the power cable or let it be run over by a vehicle.

Do not use a too long extension cable. If you want a power cable that is up to 25 m long, you can use a 2.5 mm² cable. If you use an extension cable that is longer than 25 m it should be 4 mm². LOGOSOL supplies extension cables that are 2.5 m and 4 mm² with 16A socket and plug.

SERVICING AND MAINTENANCE

To make sure that the electric saw performs optimally, it needs regular servicing and maintenance. Read the service schedule below for recommended points of service based on the number of operating hours.

POINT OF SERVICE	After each work shift	Every 10 th operating hour	Every 20 th operating hour
Check the condition of the guide bar and the saw chain.	•		
Check the saw chain oil level.	•		
Check the wear on slide profiles/guides.		•	
Check the plastic gear in the oil pump.		•	
Check the bearing in the oil pump.			•
Check the round belt that drives the oil pump.			•
Clean the oil system (from bottle to guide bar) with compressed air, e.g.		•	
Clean the water cooling (from bottle to guide bar) with compressed air, e.g.			•
Check the condition of the chain sprocket			•
Clean the saw unit	•		

If you need to order new components, you find their reference numbers in the section *Overview*.

TROUBLESHOOTING

PROBLEM/SYMPTOM	PROBABLE CAUSE	MEASURES
The saw cuts slowly	<ul style="list-style-type: none"> • Dull saw chain • The slide profiles/guides are set incorrectly • Resin and dirt on the guide rail 	<ul style="list-style-type: none"> • Sharpen or replace the saw chain • Adjust the guides according to the instructions • Clean the guide rail and use silicone spray (ref. no. 9999-000-5110) to reduce the friction between the saw and the rail.
The guide bar is worn out quickly	<ul style="list-style-type: none"> • Too high feed pressure • Saw chain oil of poor quality • Insufficient oil lubrication 	<ul style="list-style-type: none"> • Reduce the feed pressure (especially when taking narrow cuts) • Change to a saw chain oil of high quality • Increase the oil pump flow and/or clean oil bottle and tubes from dirt
Insufficient oil lubrication	<ul style="list-style-type: none"> • Dirt in the oil bottle/tube/guide bar • Old oil that has hardened • Worn oil pump • Worn plastic gear in the oil pump • Worn bearing in the oil pump 	<ul style="list-style-type: none"> • Clean the entire oil system • Clean the entire oil system • Replace the oil pump • Replace the plastic gear in the oil pump • Replace the bearing in the oil pump
Chain break	<ul style="list-style-type: none"> • Insufficient oil lubrication • The chain is too tight • Worn chain sprocket • The motor is not secured correctly • The chain is too loose 	<ul style="list-style-type: none"> • Increase the oil pump flow and/or clean oil bottle and tubes from dirt • Adjust the chain tension according to instructions • Check the chain sprocket and replace if necessary • Check that all four bolts, which secures the motor to the saw chassis, are tightened • Tighten the chain according to instructions
The guide bar cuts upwards/downwards	<ul style="list-style-type: none"> • The bar rails are not at a level • The guide bar is not secured correctly • Worn slide profiles/guides 	<ul style="list-style-type: none"> • Grind the bar rails, so that they become completely parallel • Check that the guide bar is secured correctly (25Nm) • Check the guides and replace if necessary
Angular error on the sawing result	<ul style="list-style-type: none"> • The bar nose steering is adjusted incorrectly • The guide bar is not secured correctly • The guides are worn or set incorrectly 	<ul style="list-style-type: none"> • Adjust the bar nose steering so that the guide bar becomes parallel with the log beds • Check that the guide bar is secured correctly (25Nm) • Check for wear and check the set of the plastic guides. Adjust and/or replace if necessary
Washboard patterns on the sawn boards	<ul style="list-style-type: none"> • The saw chain is incorrectly sharpened • The sawmill is not set up firmly • Worn guide bar 	<ul style="list-style-type: none"> • Resharpen the saw chain • Check that the sawmill is firmly secured to the ground and has support under both guide rail ends • Replace the guide bar

TECHNICAL DATA

LOGOSOL E5/E8 SPEED SAW		
OUTPUT		
Rated power E5 Speed Saw	4.6 kW	
Rated power E8 Speed Saw	8 kW	
TRANSMISSION		
Direct drive	24t chain sprocket	
Rotational speed	2850 rpm.	
Chain speed	22 m/s	
NOISE LEVELS		
Sound pressure, unloaded	97,0 dB(A)	
Sound pressure, loaded	102,0 dB(A)	
Sound power level	113,0 dB(A)	
DIMENSIONS		
Height	500 mm	
Length	898 mm	
Width	328 mm	
Weight	38/42 kg	
CUTTING EQUIPMENT		
Logosol Speed Saw 50 cm guide bar	Ref.no. 3008-010-3050	Chain: Stihl 1.3 mm, 84 DL, ripping chain (ref. no. 3614-000-0084)
Logosol Speed Saw 70 cm guide bar	Ref.no. 3008-010-3070	Chain: Stihl 1.3 mm, 104 DL, ripping chain (ref. no. 3614-000-0104)

Declaration of conformity

Logosol AB
 Fiskaregatan 2
 S-871 31 Härnösand
 Phone: +46 611 18285

hereby declares that Logosol Speed Saw, with ref. no. 6608-000-3005, 6608-000-3010, 6608-000-3020 and 6608-000-3025 is manufactured in conformity with:

Machinery Directive 2006/42/EG, EMC Directive 2004/108/EG and LVD Directive 2006/95/EG,

and in accordance with the following harmonized standards: EN ISO 12100:2010, EN 60204-1:2006, EN 61000-6-1, -3

Mattias Byström, Product Manager, is answerable for technical documentation.

Härnösand 21/04/2016

Malte Frisk, CEO





LOGOSOL SWEDEN

Fiskaregatan 2, S-871 33 Härnösand, Sweden

Phone +46 611 18285 | Fax +46 611 182 89

info@logosol.com | www.logosol.com