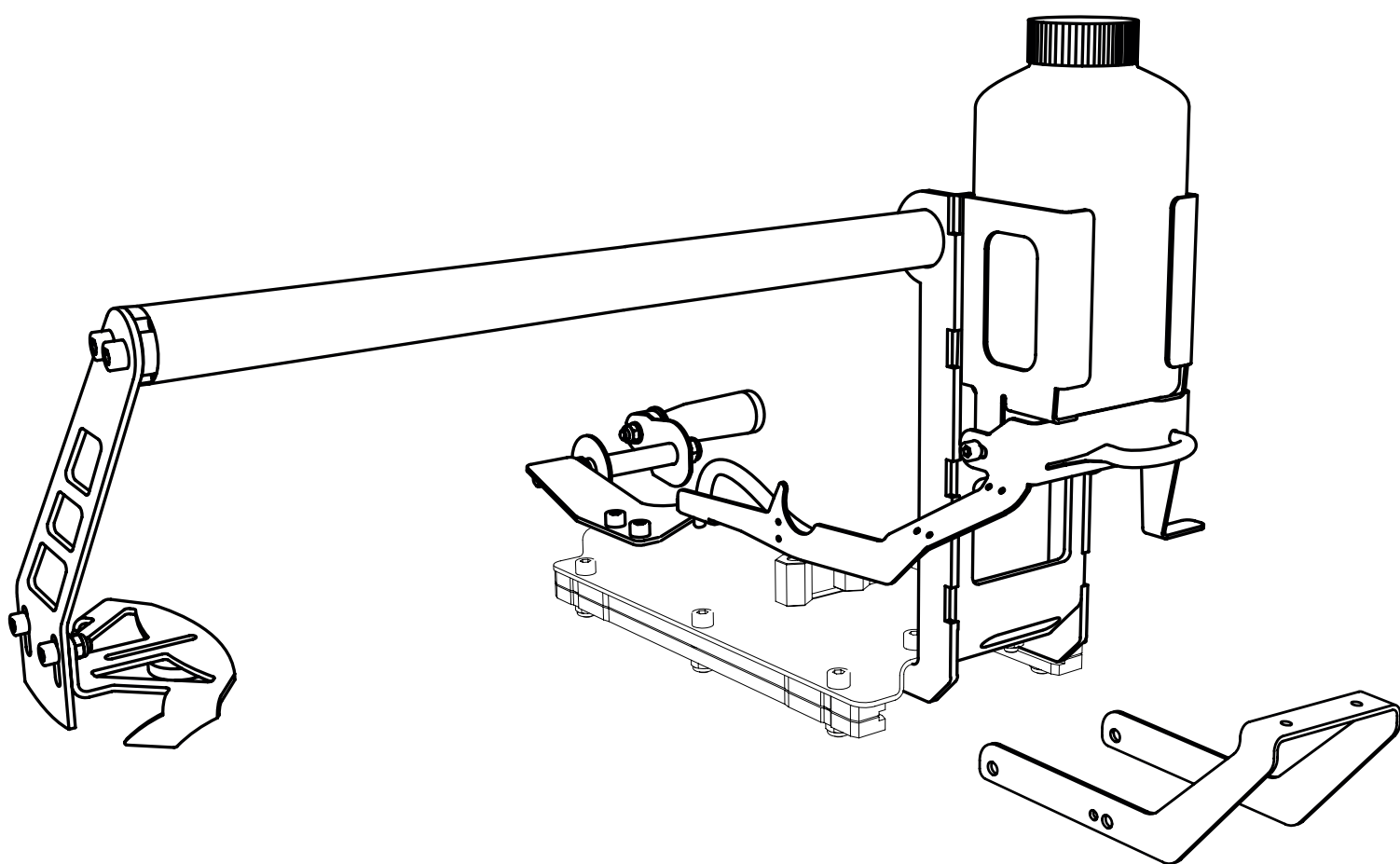


ASSEMBLY INSTRUCTIONS

Ref. no. 0458-395-1241



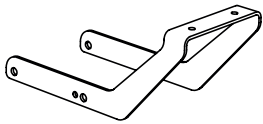
ACCESSORY PACKAGE

F2 SAW CARRIAGE

TABEL OF CONTENTS

Components	4
Bolt bags	5
Assembly: saw carriage	6
Assembly: crank	7
Assembly: bar nose steering	8
Assembly: water cooling	10
Assembly: line attachment & line	12
Adjustment: saw carriage	13
Adjustment: bar nose steering	14
Adjustment: water cooling	15

COMPONENTS: CRANK AND BAR NOSE STEERING



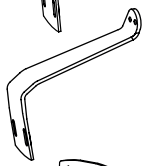
_____ 1 pc _____ Line attachment



_____ 1 pc _____ Bar nose steering tube



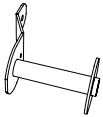
_____ 1 pc _____ Short bar nose steering arm



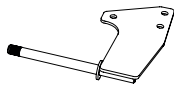
_____ 1 pc _____ Long bar nose steering arm



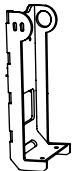
_____ 1 pc _____ Magnet plate



_____ 1 pc _____ Line reel

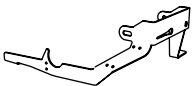


_____ 1 pc _____ Crank plate

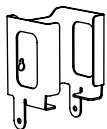


_____ 1 pc _____ Bar nose steering bracket

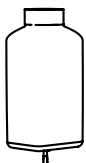
COMPONENTS: WATER COOLING (ACCESSORY)



_____ 1 pc _____ Water cooling arm

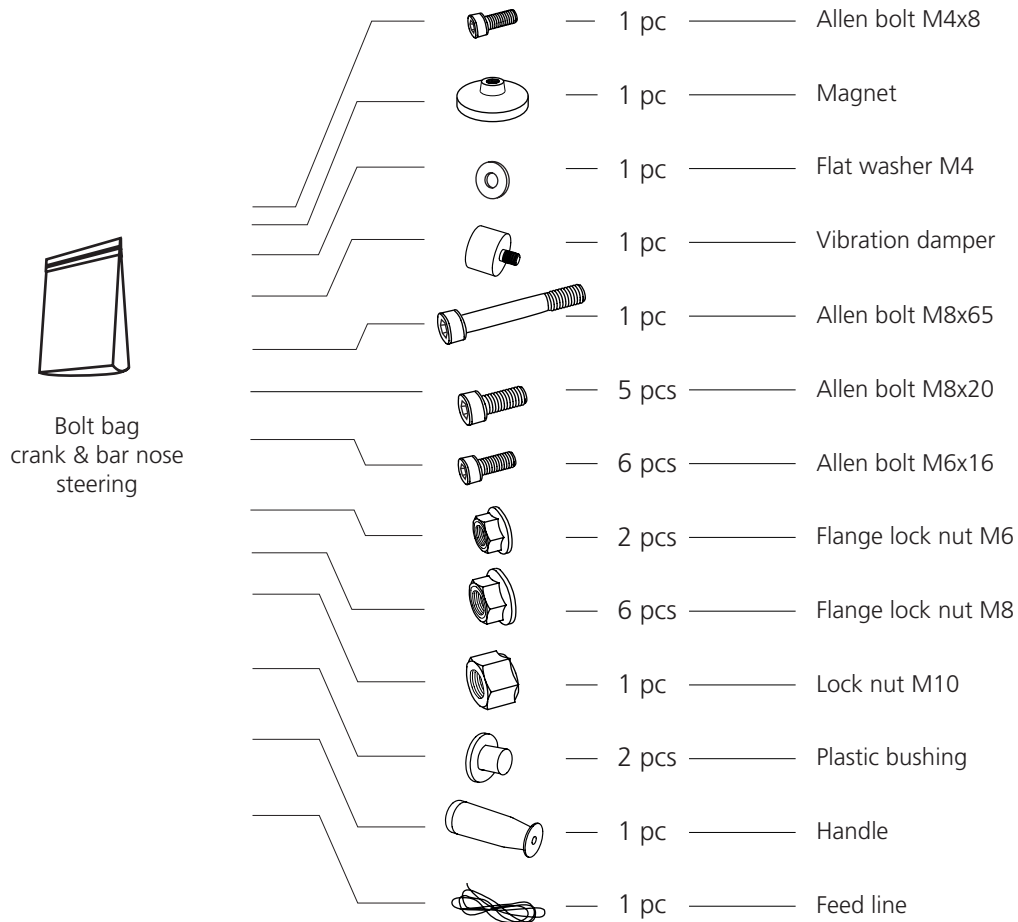


_____ 1 pc _____ Bottle holder

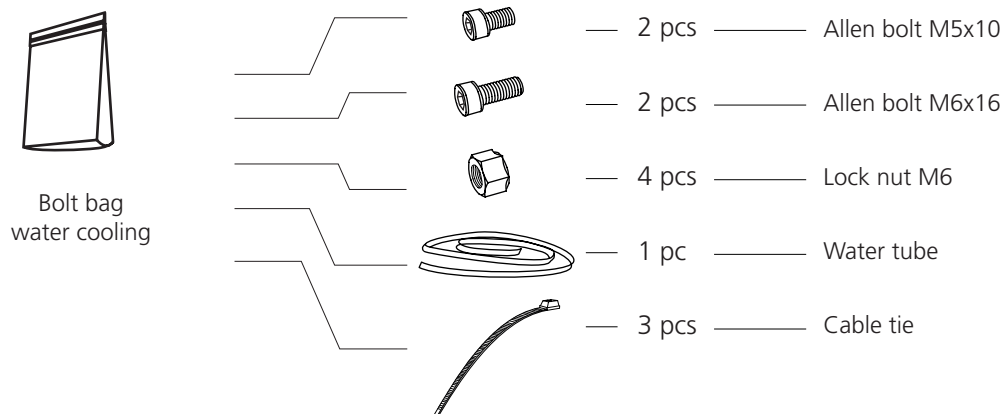


_____ 1 pc _____ Water bottle

BOLT BAG: CRANK AND BAR NOSE STEERING





BOLT BAG: WATER COOLING (ACCESSORY)

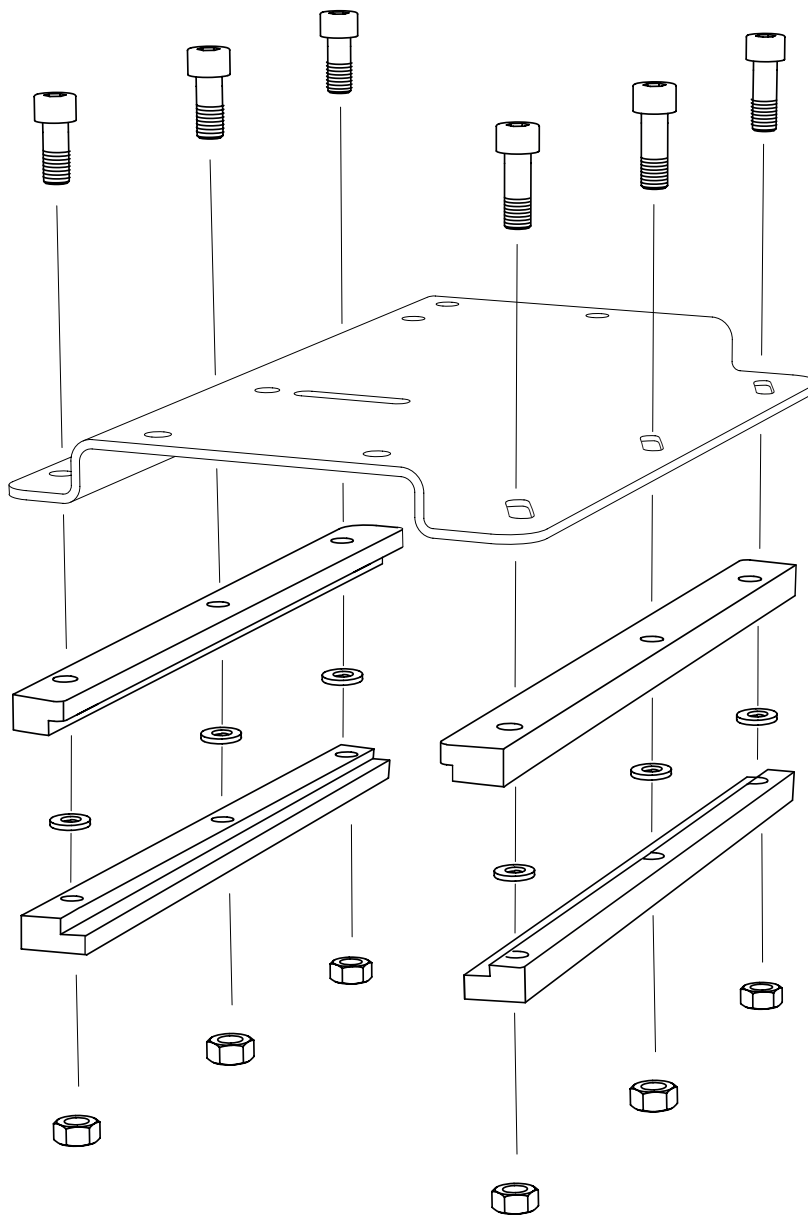


ASSEMBLY: SAW CARRIAGE

 — 6 pcs — Allen bolt M8x30

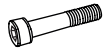


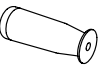
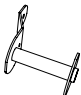
 — 6 pcs — Lock nut M8

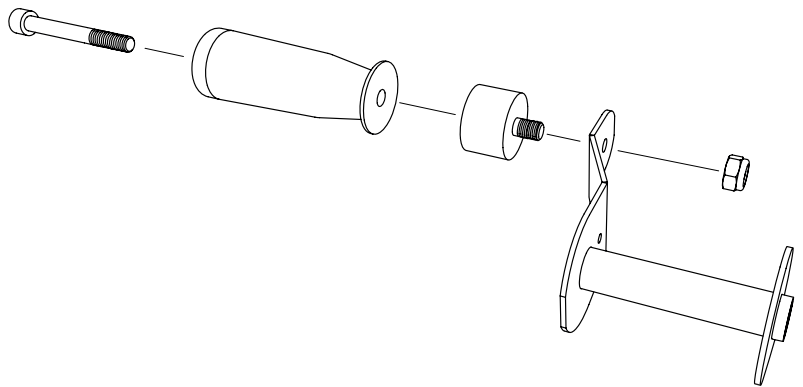
 — 6 pcs — Wave washer M8




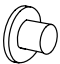
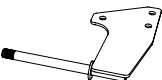
ASSEMBLY: CRANK

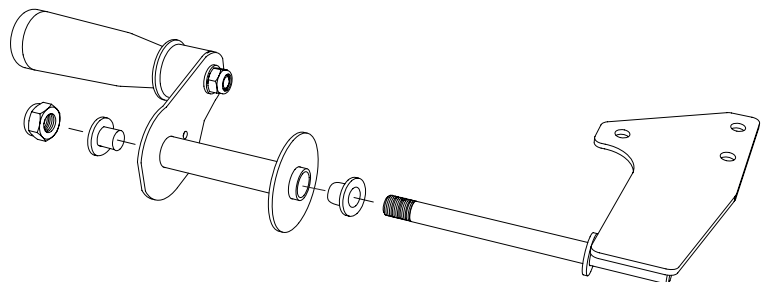
1 Fit the handle to the line reel.

-  - 1 pc — Allen bolt M8x65
-  - 1 pc — Flange lock nut M8
-  - 1 pc — Vibration damper
-  - 1 pc — Handle
-  - 1 pc — Line reel

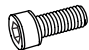



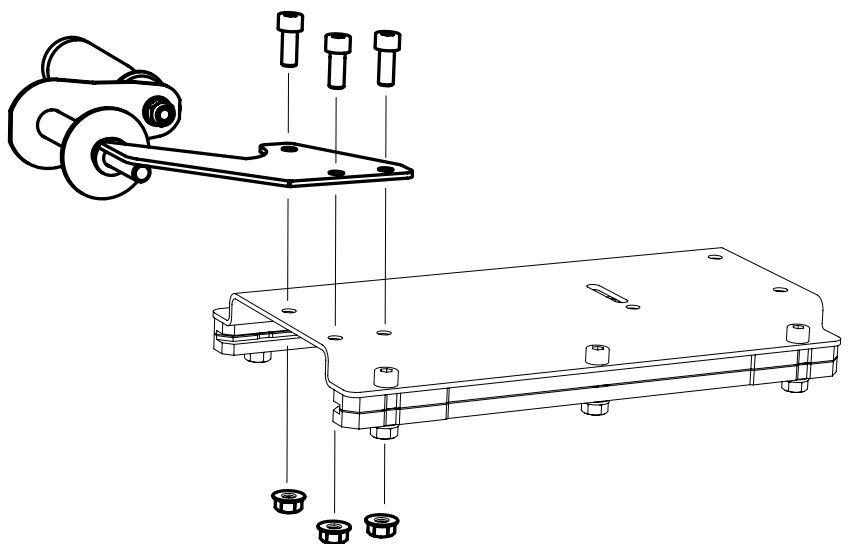
2 Fit the line reel to the crank plate.

-  - 1 pc — Lock nut M10
-  - 2 pcs — Plastic bushing
-  - 1 pc — Crank plate




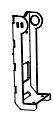
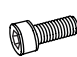
3 Install the crank plate on the saw carriage.

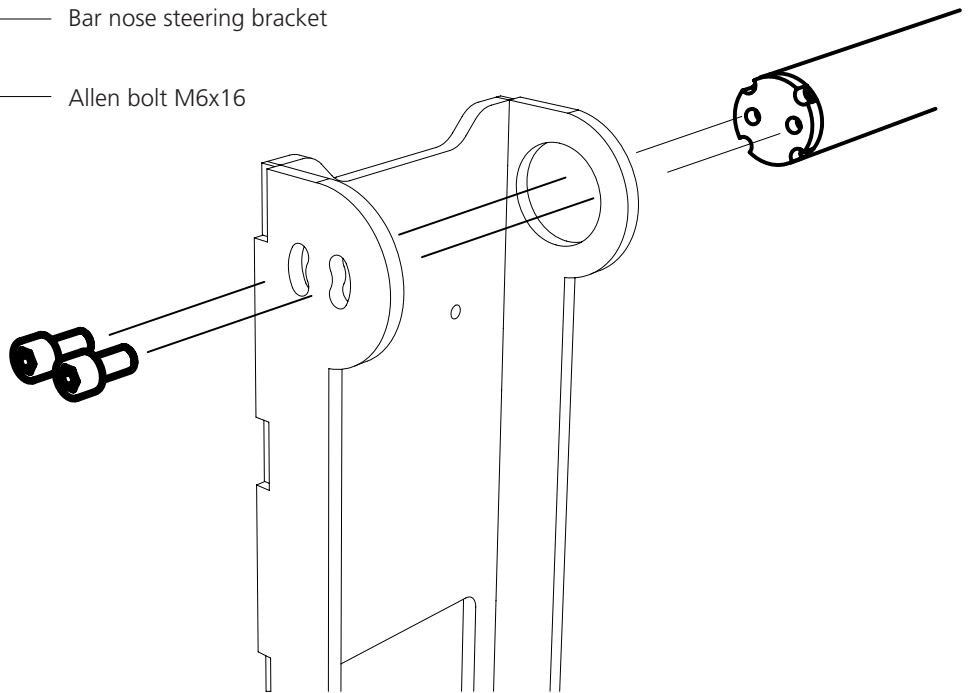
-  - 3 pcs — Allen bolt M8x20
-  - 3 pcs — Flange lock nut M8






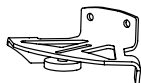
ASSEMBLY: BAR NOSE STEERING

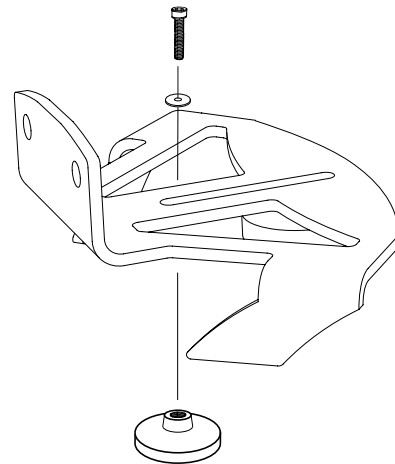
1 Fit the the bar nose steering tube to the bracket.

-  — 1 pc — Bar nose steering tube
-  — 1 pc — Bar nose steering bracket
-  — 2 pcs — Allen bolt M6x16

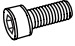

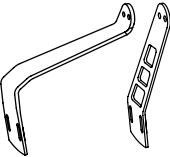


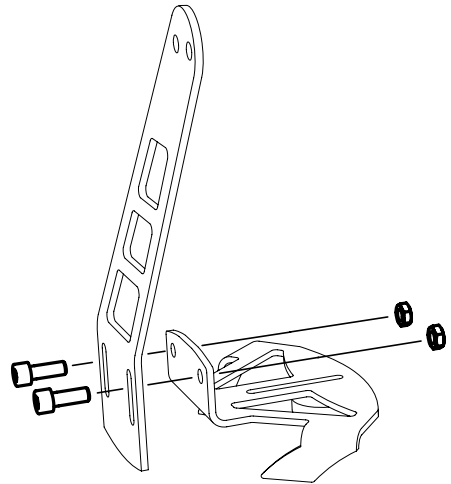
2 Fit the magnet to the magnet plate.

-  — 1 pc — Magnet
-  — 1 pc — Flat washer M4
-  — 1 pc — Allen bolt M4x8
-  — 1 pc — Magnet plate

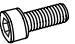


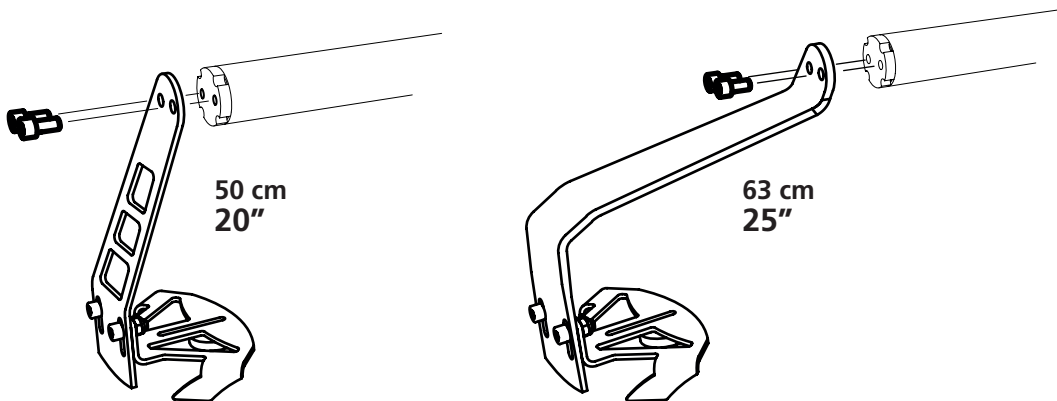
3 There are two different bar nose steering arms. Use the arm that is adapted for the guide bar you are going to use. Fit the magnet plate to the bar nose steering arm.

-  — 2 pcs — Allen bolt M6x16
-  — 2 pcs — Flange lock nut M6
-  — 1 pc — Short arm for 50 cm (20") guide bars, or long arm for 63 cm (25") guide bars





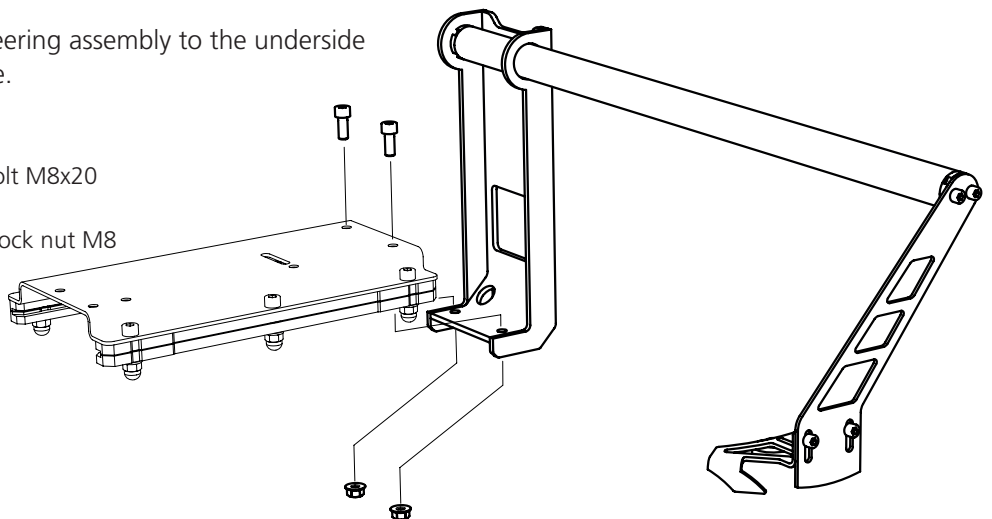
4 Fit the bar nose steering arm to the bar nose steering tube.

-  — 2 pcs — Allen bolt M6x16



5 Fit the bar nose steering assembly to the underside of the saw carriage.

-  — 2 pcs — Allen bolt M8x20
-  — 2 pcs — Flange lock nut M8



ASSEMBLY: WATER COOLING (ACCESSORY)

1

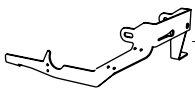
Install the first bolt joint on the water cooling arm. Note that the bolt joint should not be firmly tightened, but should have a small play.



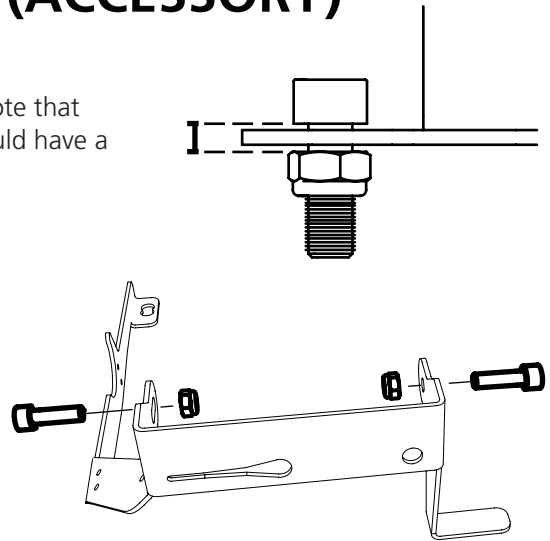
— 2 pcs — Flange lock nut M6



— 2 pcs — Allen bolt M6x16

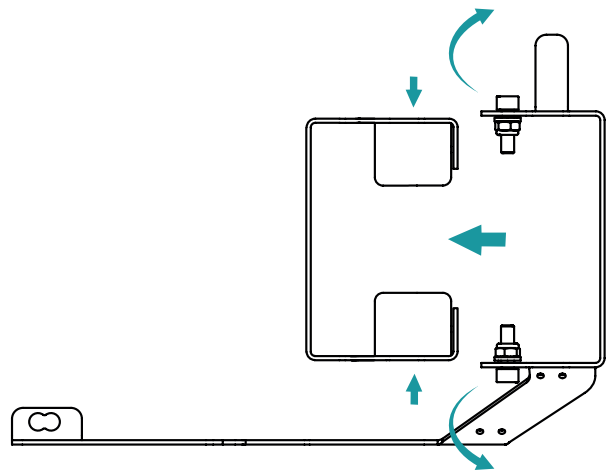
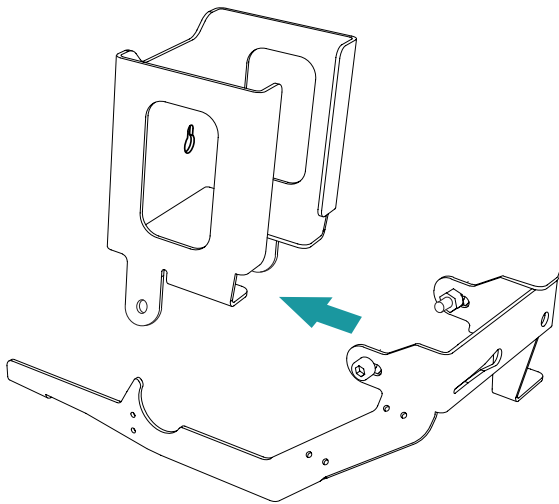


— 1 pc — Water colling arm



2

Fit the water cooling arm to the bottle holder. Squeeze the bottle holder together at the same time as you gently bend the water cooling arm outwards to make the bolts fit in the holes in the bottle holder. Be careful not to deform the water cooling arm.

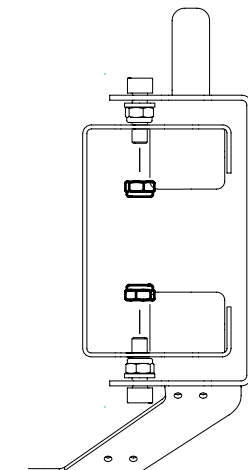


3

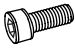
Secure the water cooling arm on the bottle holder. Tighten the bolt joints firmly.

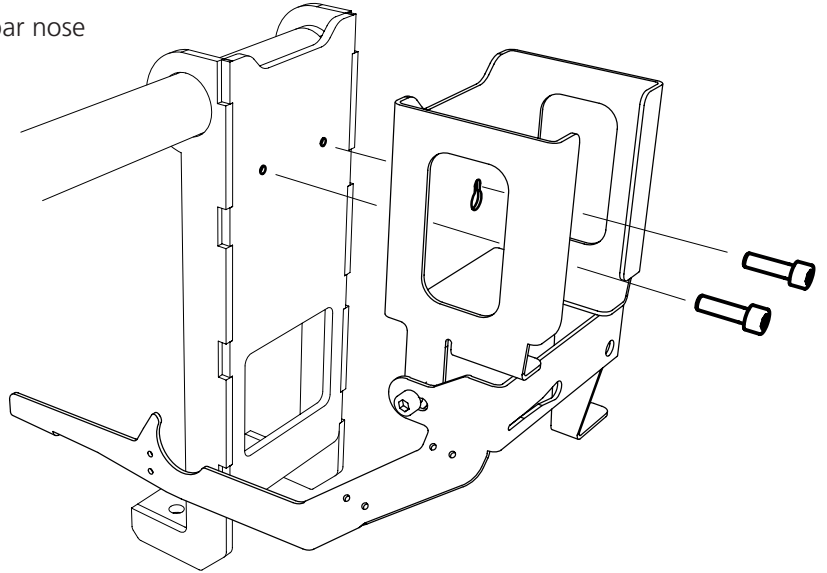


— 2 pcs — Flange lock nut M6

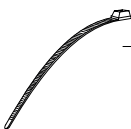


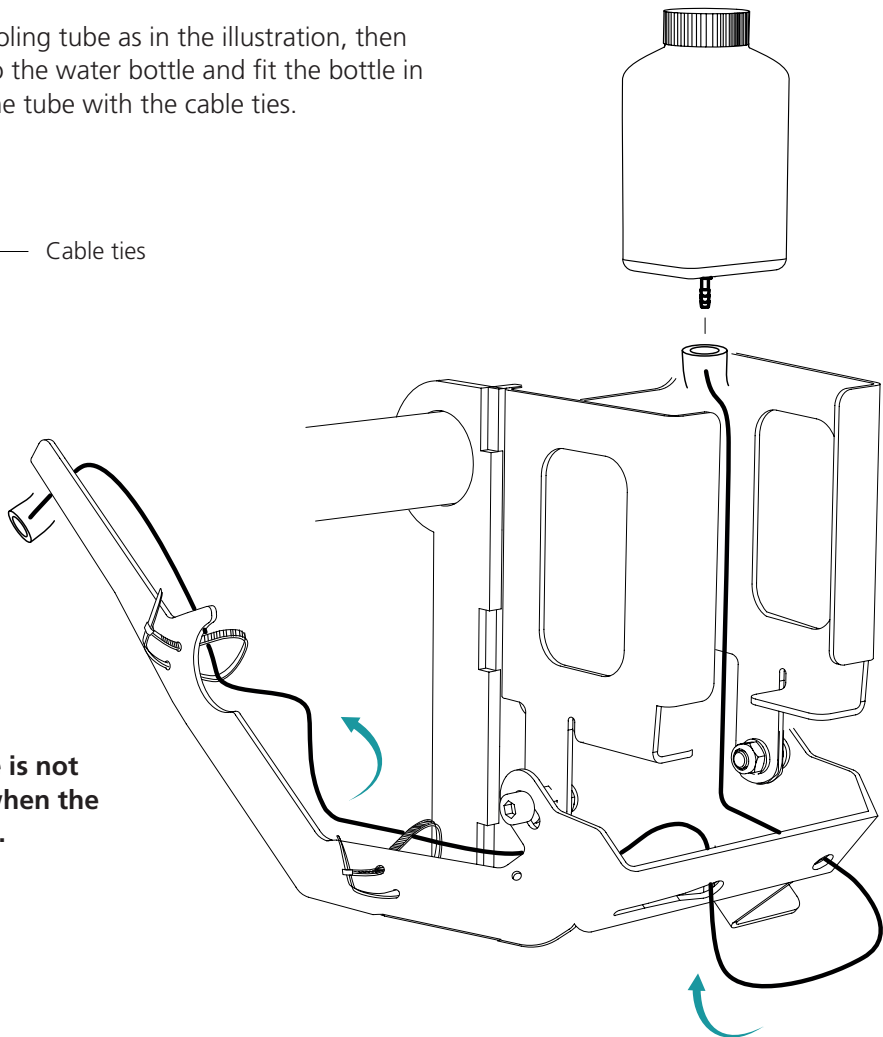
- 4** Fit the water cooling assembly to the bar nose steering bracket.


 — 2 pcs — Allen bolt M5x10



- 5** Install the water cooling tube as in the illustration, then connect the tube to the water bottle and fit the bottle in its holder. Secure the tube with the cable ties.

 — 3 pcs — Cable ties



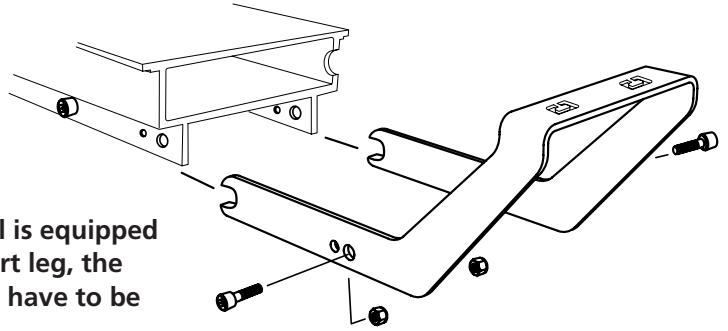
 **Check that the tube is not bent at any point when the arm is folded down.**

ASSEMBLY: LINE ATTACHMENT & FEED LINE

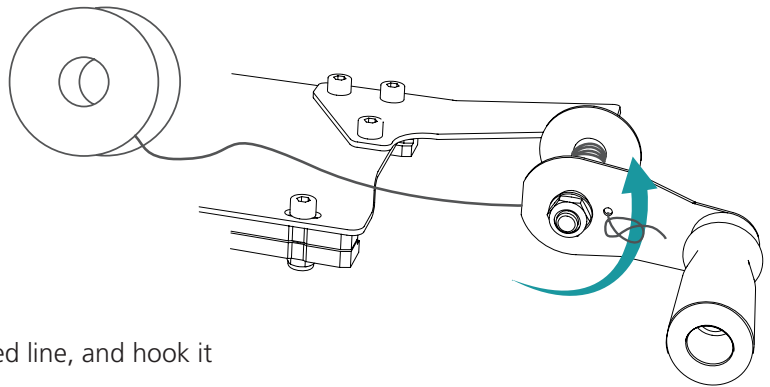
- 1 Fit the line attachment to the guide rail.

- 2 pcs — Allen bolt M8x20
- 2 pcs — Flange lock nut M8

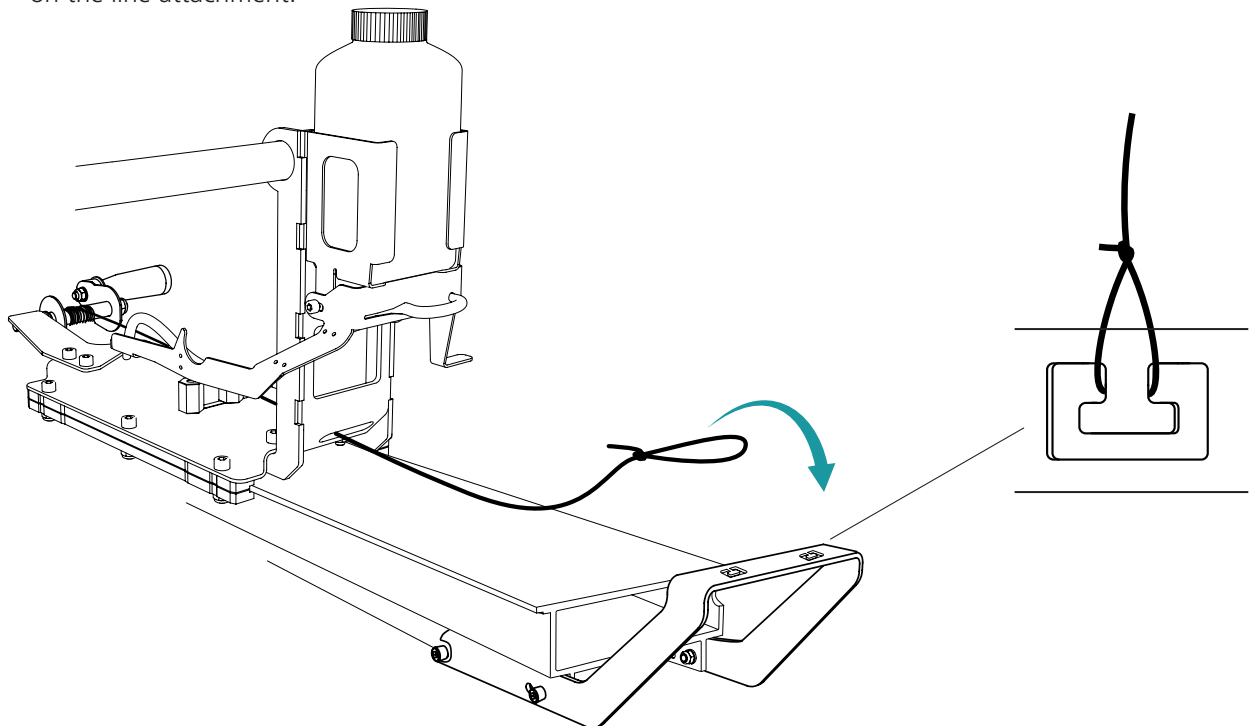
! If the sawmill is equipped with a support leg, the smaller holes have to be used.



- 2 Tie the feed line to the line reel.



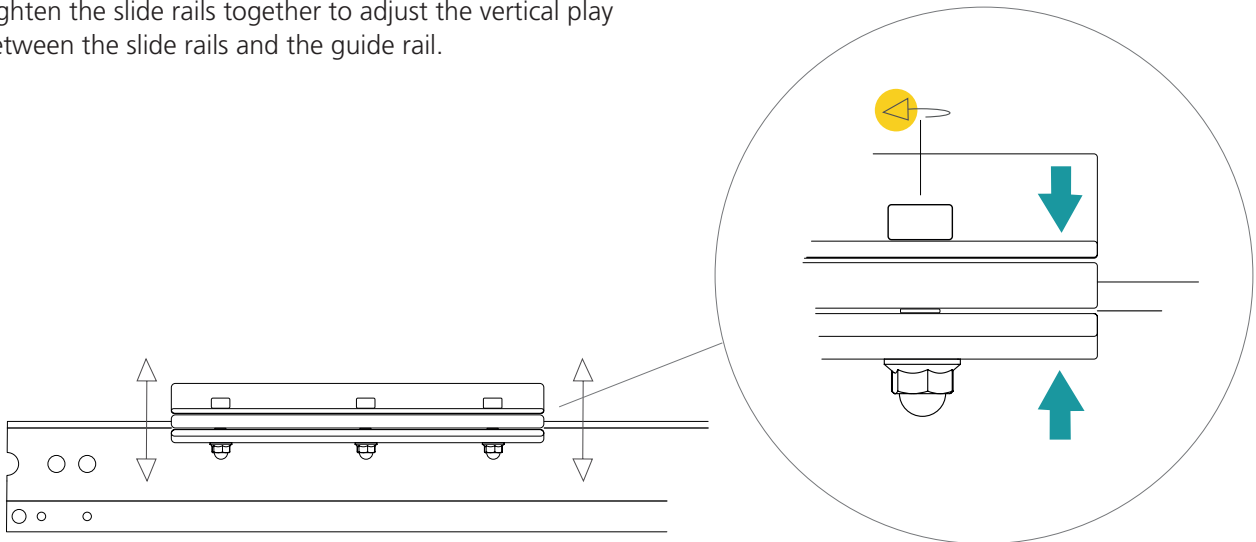
- 3 Tie a loop at the other end of the feed line, and hook it on the line attachment.



ADJUSTMENT: SAW CARRIAGE

Adjust the vertical play

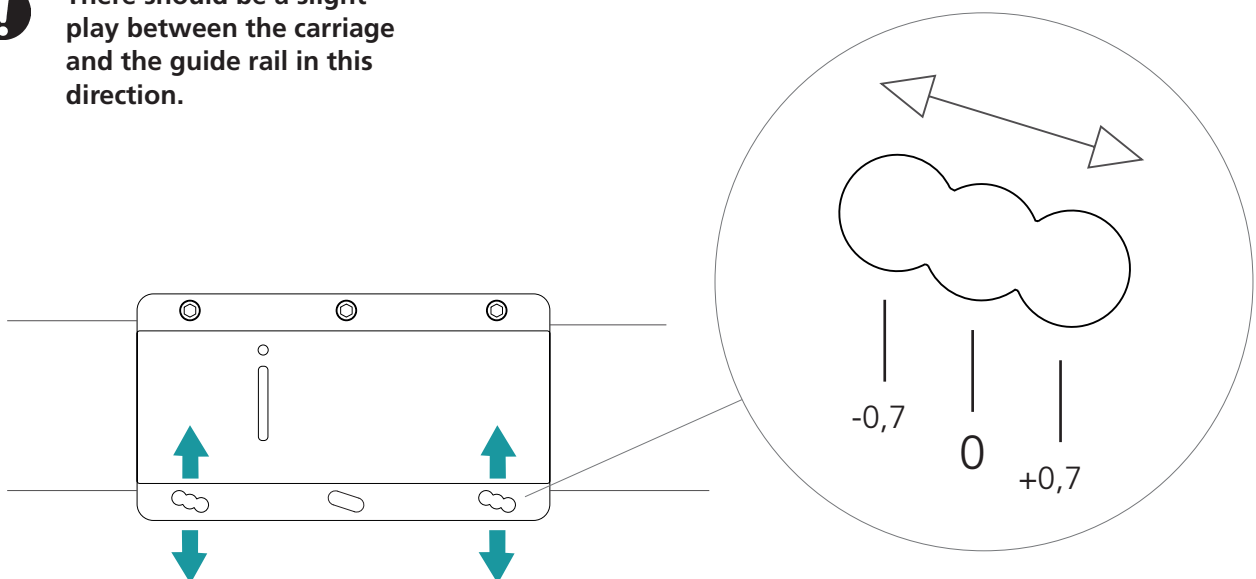
Tighten the slide rails together to adjust the vertical play between the slide rails and the guide rail.



Adjust the horizontal play

On the operator side, adjust the slide rails outwards or inwards, using the three fixed positions, to minimize the horizontal play between the slide rails and the guide rail.

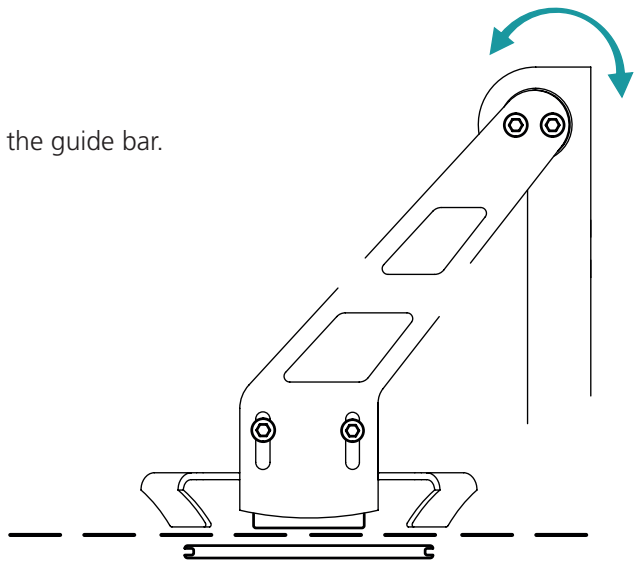
! There should be a slight play between the carriage and the guide rail in this direction.



ADJUSTMENT: BAR NOSE STEERING

Adjust the bar nose steering tube

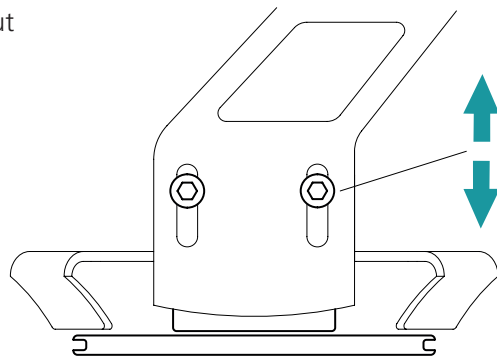
Rotate the tube to make the magnet plate parallel to the guide bar.



Adjust the magnet plate

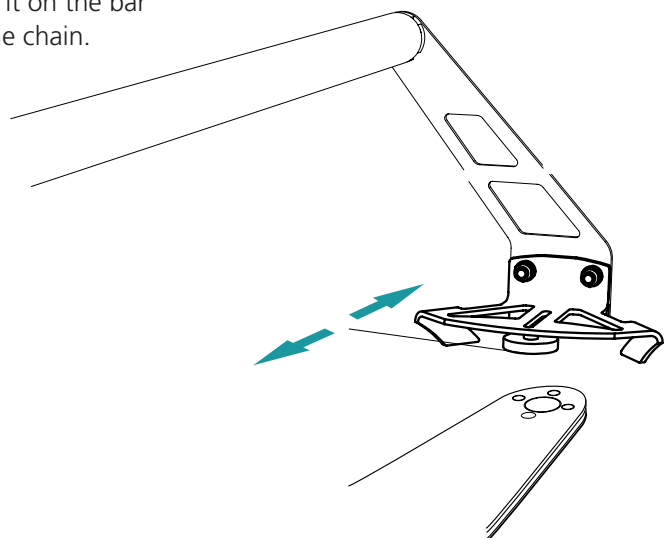
Move the magnet plate up or down in the tracks. The guide bar should not be pulled up or pressed down too much, but should be parallel to the log bed.

! Check that the guide bar is parallel to the log bed.



Adjust the magnet

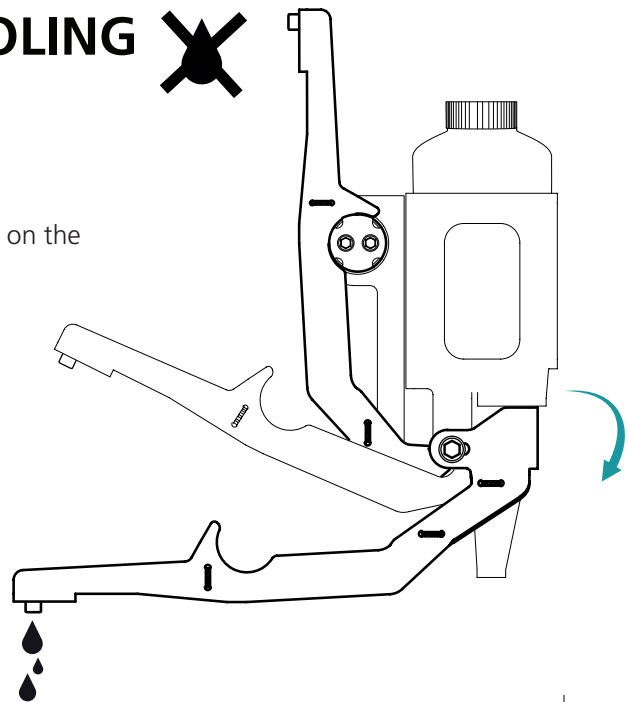
Move the magnet inwards or outwards to centre it on the bar nose. Make sure it does not come too close to the chain.



ADJUSTMENT: WATER COOLING

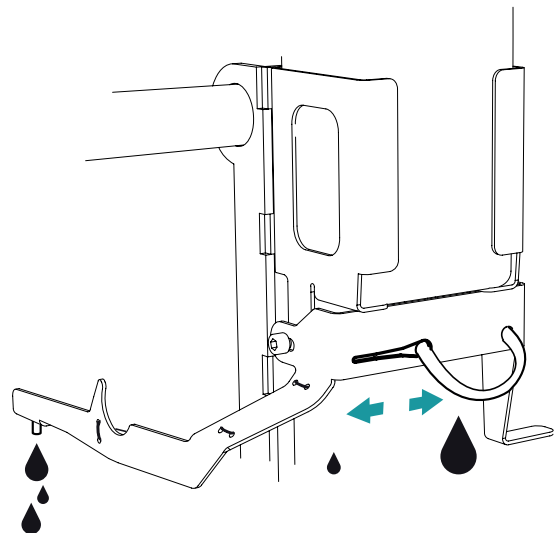
Water cooling ON/OFF

To turn off the water cooling: fold up the arm and hook it on the bar nose steering tube.



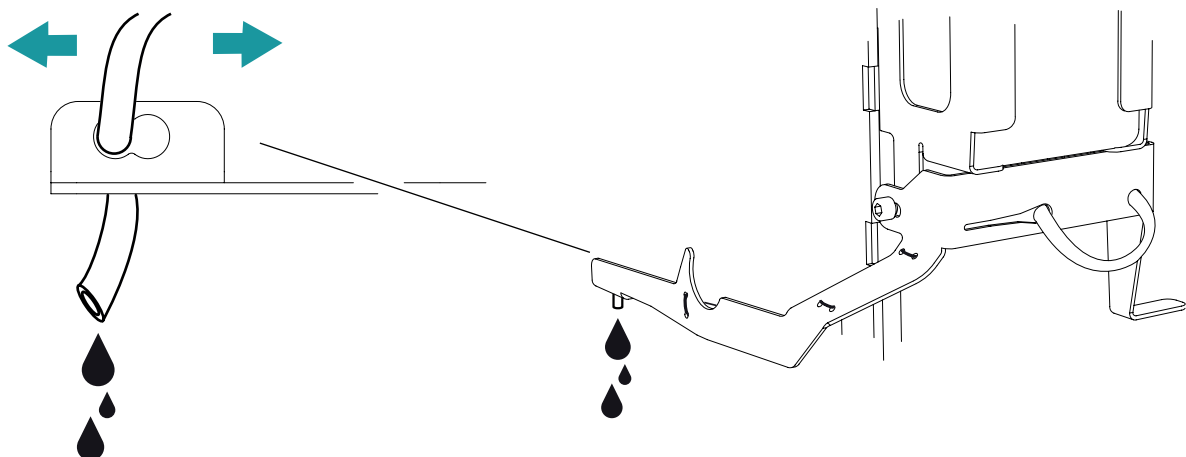
Adjust the flow

To adjust the water flow: change the position of the water tube in its track.



Adjust the position

At the end of the water cooling arm there are two positions for the water tube. Position the tube so that it is in line with the edge of the guide bar.





Fiskaregatan 2, 871 33 Härnösand, SWEDEN
+46 611 182 85 | info@logosol.com | www.logosol.com