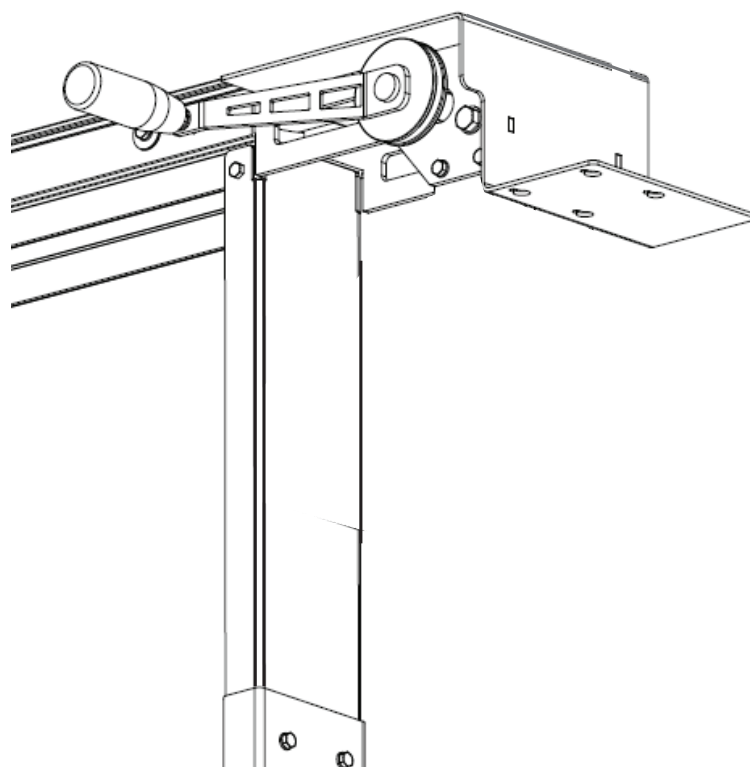


 **LOGOSOL**

USER MANUAL

Art.nr. 0458-395-2741



OPTIONAL ATTACHMENT

MANUAL FEED UNIT

EN

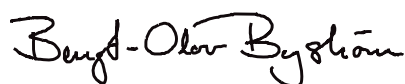
THANK YOU FOR CHOOSING A LOGOSOL MACHINE!

Welcome! We are very pleased that you have demonstrated your confidence in us by purchasing a LOGOSOL product, and we will do our utmost to meet your expectations.

LOGOSOL has been manufacturing sawmills since 1989. In that time we have supplied approximately 50,000 machines to satisfied customers the world over.

We care about your safety as well as we want you to achieve the best possible results with your equipment. We therefore recommend that you take the time to carefully read this user manual from cover to cover in peace and quiet before you begin using the equipment. Remember that the equipment itself is just part of the value of the product. Much of the value is also to be found in the expertise we pass on to you in the user manuals. It would be a pity if that were not utilised.

We hope you get a lot of satisfaction from the use of your new LOGOSOL product.



Bengt-Olov Byström
Founder and chairman,
Logosol in Härnösand, Sweden



Read through the user manual carefully and make sure you understand its contents before you use the equipment.



This user manual contains important safety instructions.



WARNING! Incorrect use can result in serious or fatal injuries to the operator or others.



LOGOSOL continuously develops its products. For this reason, we must reserve the right to modify the configuration and design of our products.
Document: Manual Feed Unit
Ref. No. User Manual, English: 0458-395-2741
Text: Mattias Byström, Robert Berglund
Illustrations: Mattias Byström, Martin Söderberg, Robert Berglund
Last revised: August 2018
© 2018 LOGOSOL, Härnösand Sweden

TABLE OF CONTENTS

Safety instructions	4
Description of the equipment	5
Components: on delivery	6
Components: manual feed unit	7
Components: support leg	8
Components: wire tensioner	9
Tools required	10
Assembly: support legs	11
Assembly: wire tensioner	13
Assembly: manual feed unit	15
Assembly: wire and wire attachment	18
Adjustment: support legs	22
Adjustment: wire tensioner	23
Maintenance	24
Troubleshooting	25
Exploded views	26
CE Declaration of conformity	27

SAFETY INSTRUCTIONS

- Read carefully through the entire user manual before starting to use the product. Failure to observe these safety instructions may result in fatal injuries.
- Make sure that everyone who uses the product is well informed of the dangers and has read the user manual. The user manual shall always be available to the persons working with the product. This also applies where the product is sold or loaned out.
- Minors under 18 years of age are not allowed to use the product.
- Make sure that children and animals are not in the vicinity when the product is being used.
- Anyone working with the product must be fit for work, healthy and in good physical condition. Make sure you take regular breaks when working with the product. Never use the product while under the influence of alcohol, narcotics or other drugs or medicines that can cause drowsiness or inattention.
- The product is only to be used where visibility is good. It is not to be used in the dark or where visibility is poor.
- Make sure there are other persons within earshot who you can summon if you need help.
- Only add extra equipment to the product that is made by LOGOSOL or that is specifically approved by LOGOSOL for the purpose. Other equipment can cause accidents and should not be used. LOGOSOL will not accept liability for personal injury or material damage that occurs while using non-approved attachments on the product.
- If the saw unit used weighs more than 15 kg, support legs must be fitted under the guide rail ends. Risk of overturning.
- Always wear protective clothing and use personal protective equipment: Close-fitting work overalls are appropriate. Never work with the product wearing loose-fitting clothes, overall coats or similar.
- Use safety shoes with high-grip soles and steel toecaps. Neckerchiefs, ties, jewellery or other items that can get caught in the equipment are not to be worn.
- Wear strong protective gloves.

Key to symbols



For your own safety, read through the entire user manual carefully and do not use the product before you have understood everything.



Use approved ear protectors and protective eyewear. Hearing can be damaged even after short periods of exposure.



Sharp rotating tools. Make sure that your fingers never come near the cutting tools.



This symbol means 'WARNING'. Pay particular attention where this symbol appears in the manual text.



This symbol is followed by instructions that must be observed. Pay particular attention where this symbol appears in the manual text.

DESCRIPTION OF THE EQUIPMENT

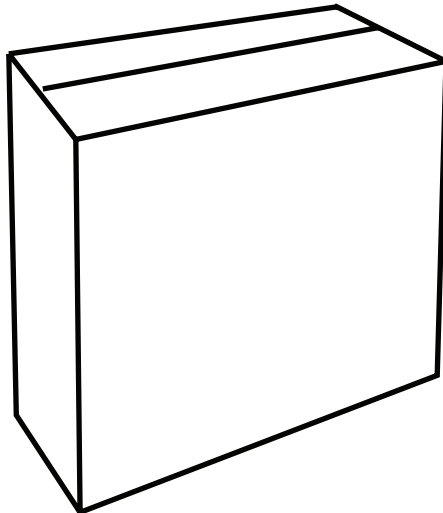
The product has several integrated functions.

- Manual feed, forward and reverse.
- Control panel for saw unit or log moulder motor.
- Loading ramp that makes it easy to push the saw unit or log moulder onto the guide rail.

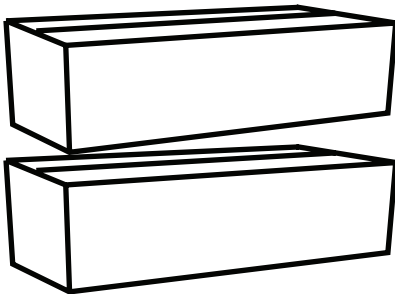
COMPONENTS: ON DELIVERY

The product comes in 4 boxes consisting of 1 wire tensioner, 2 support legs, and 1 manual feed unit. Check that all of these boxes are included in the shipment when receiving it.

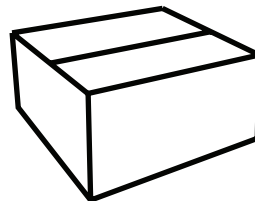
Manual feed unit
6600-000-3035 (400V)
6600-000-3040 (230V)



Support legs
6600-000-3005

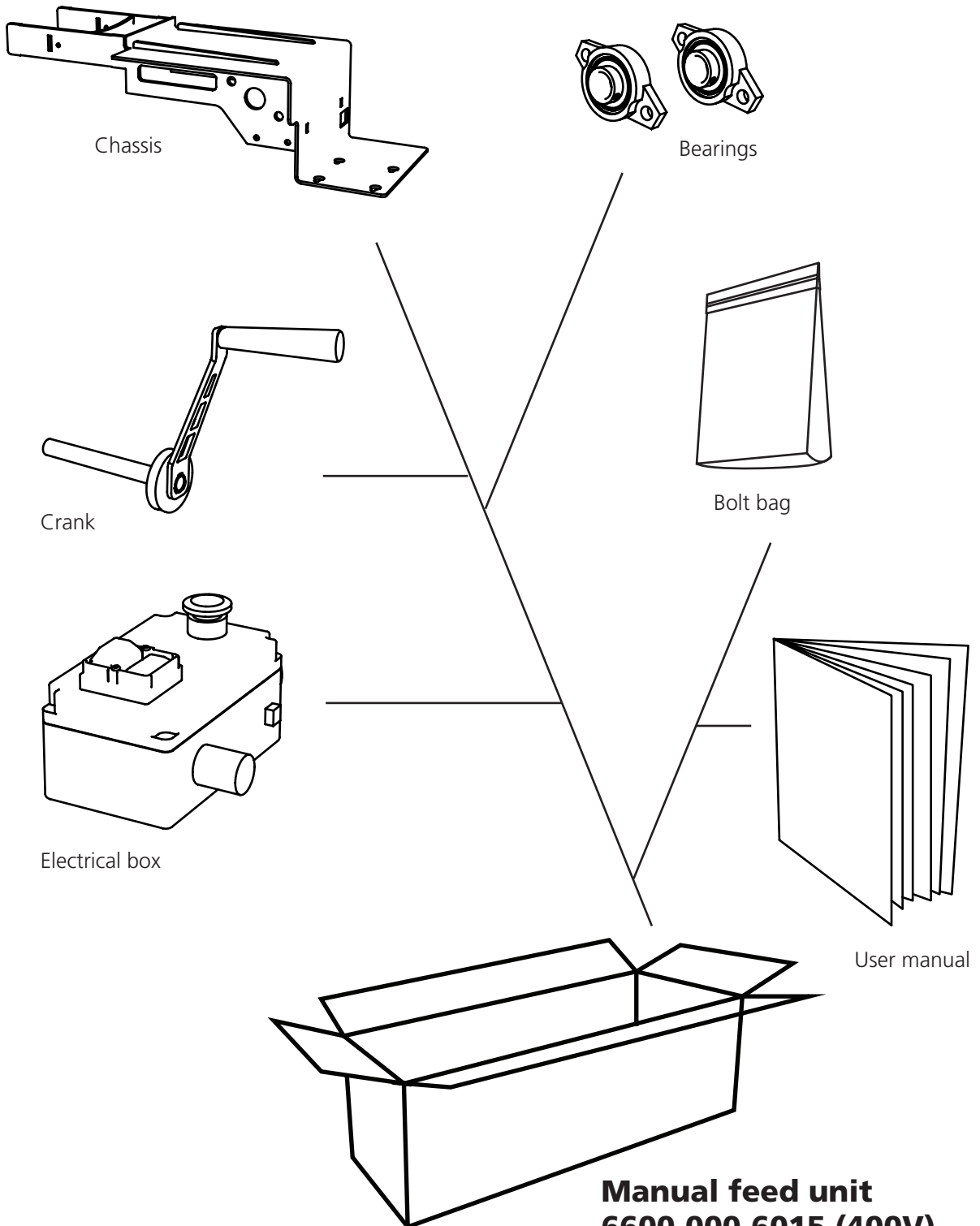


Wire tensioner
01-00339



COMPONENTS: MANUAL FEED UNIT

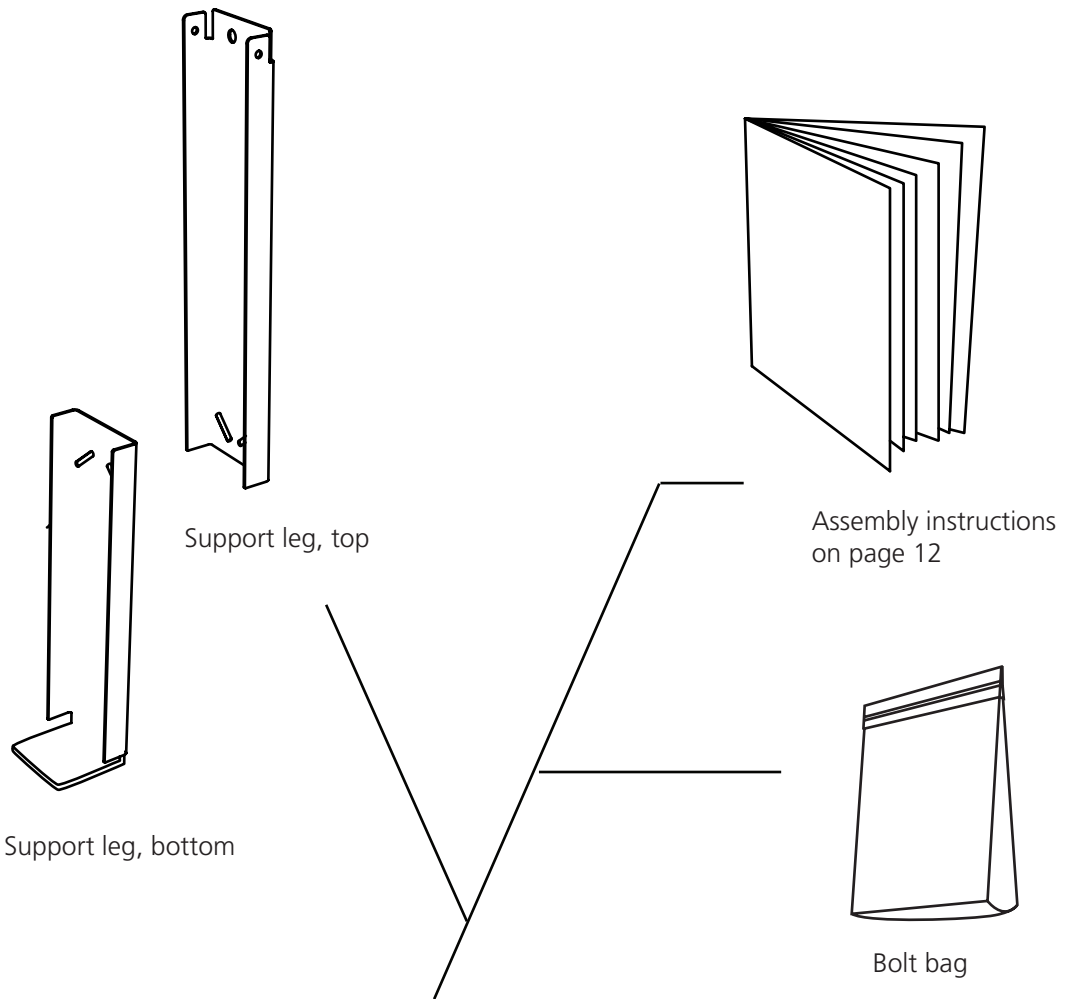
Contents of the box.



Manual feed unit
6600-000-6015 (400V)
6600-000-6020 (230V)

COMPONENTS: SUPPORT LEG

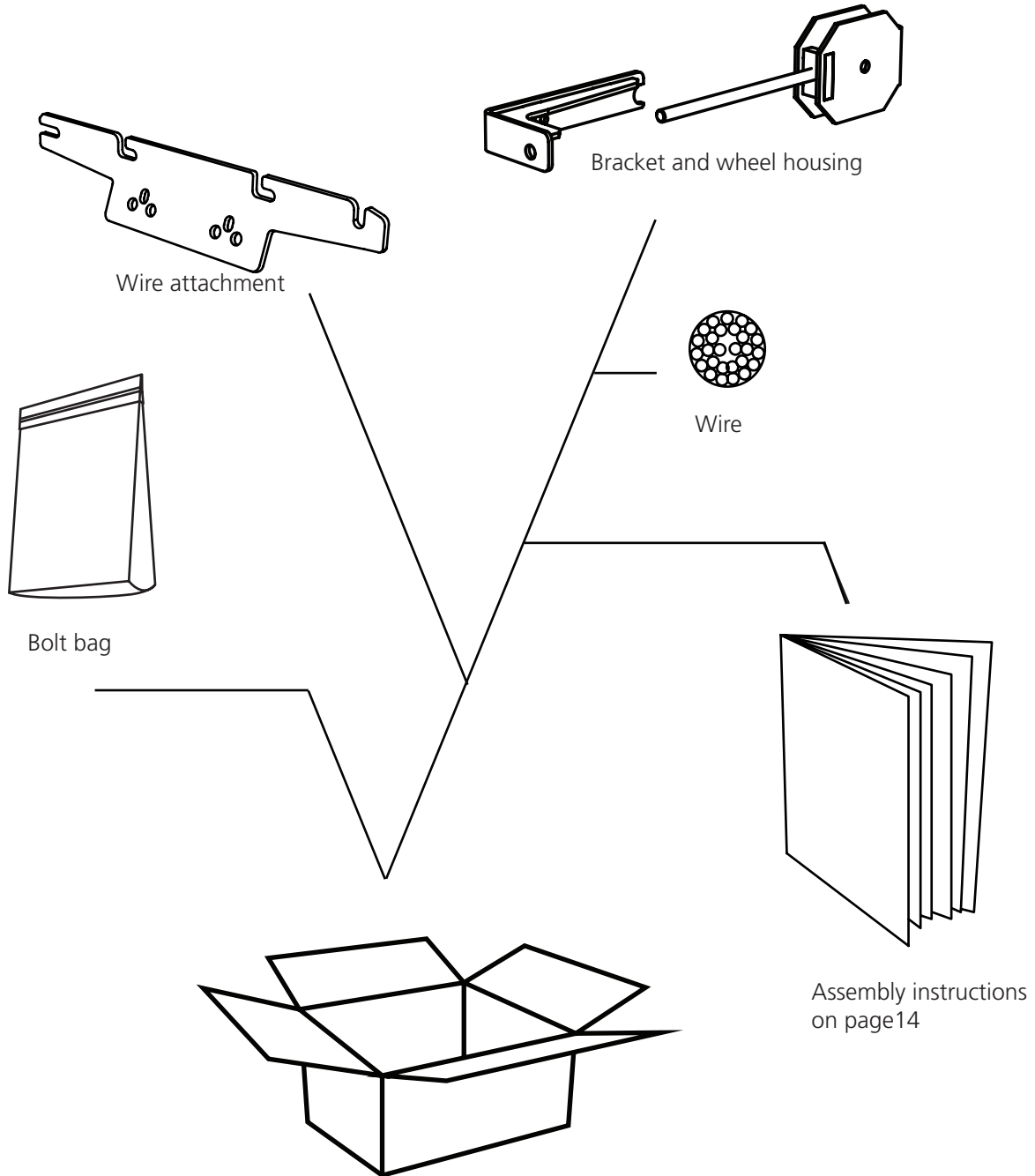
Contents of the box.



Support leg
6600-000-3005

COMPONENTS: WIRE TENSIONER

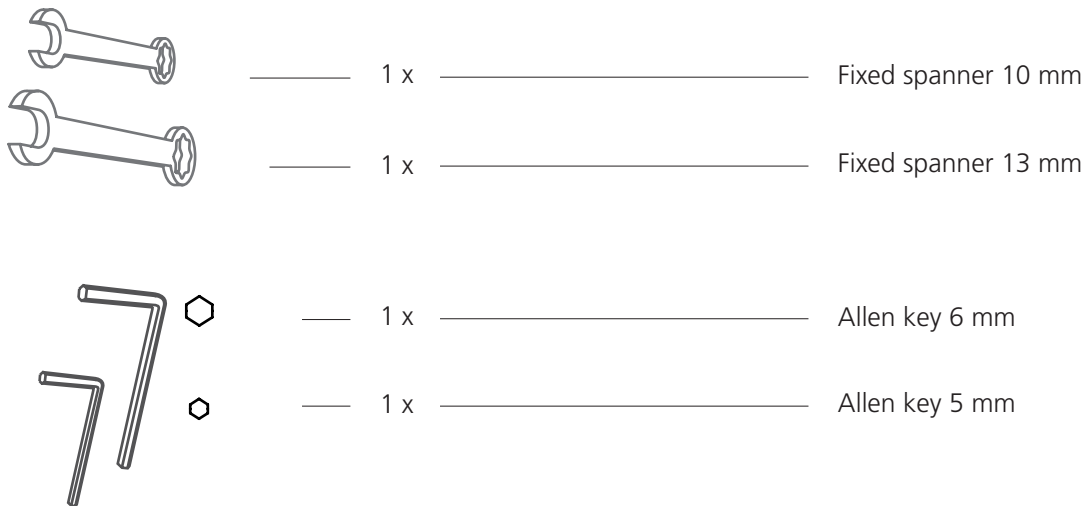
Contents of the box.



**Wire tensioner
01-00339**

TOOLS REQUIRED

These tools are not included in the shipment.





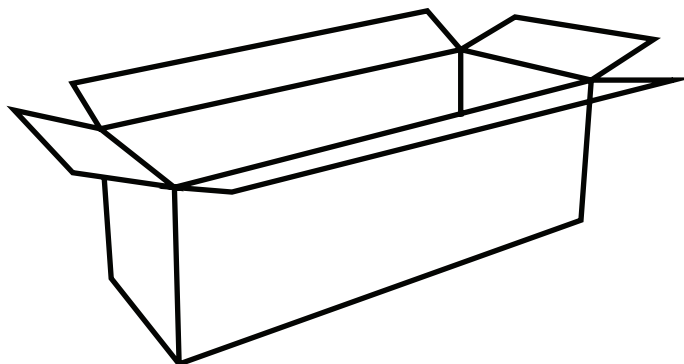
Here we go!

We recommend that you start with assembling the support legs. These are identical, and all components needed are found in the leg support boxes.

We recommend that you place all fastening elements on a tray or the like to facilitate finding the bolts, nuts, etc.


Open one of the leg support boxes and start assembling.


**Support leg
6600-000-3005**



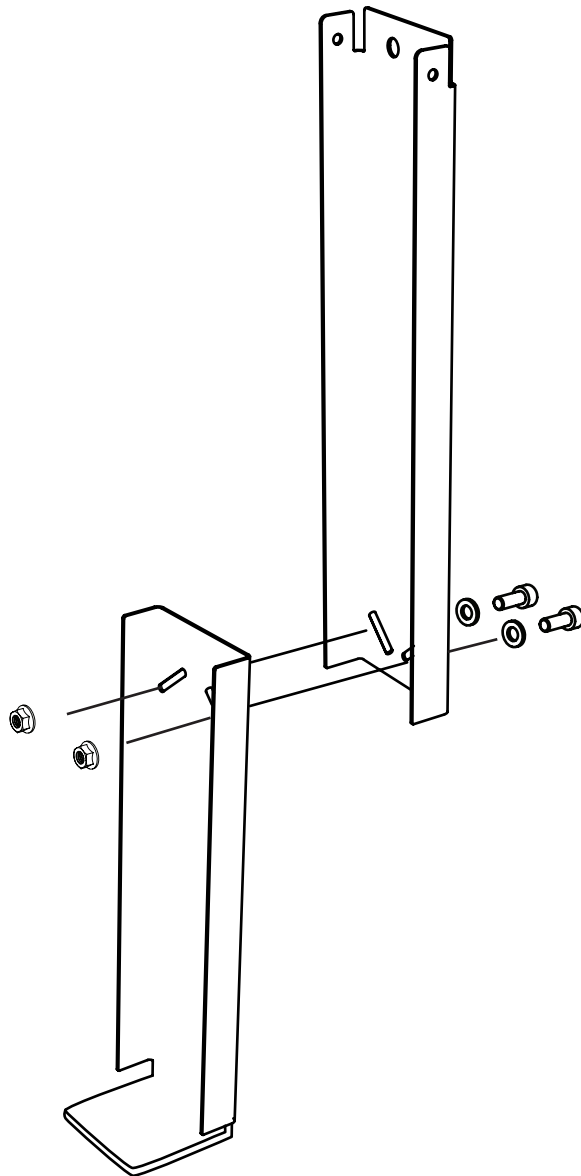
ASSEMBLY: SUPPORT LEG

1

 — 2 x — Allen bolt M8x20

 — 2 x — Flange lock nut M8

 — 2 x — Washer M8



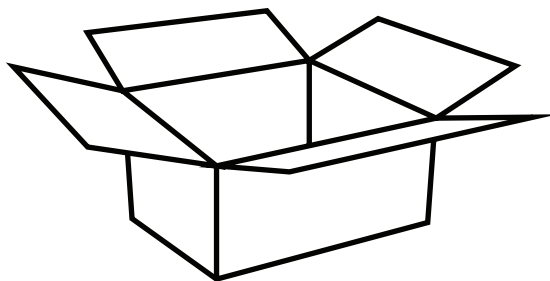


Good job!

To continue with the next step you need the components from the wire tensioner box.

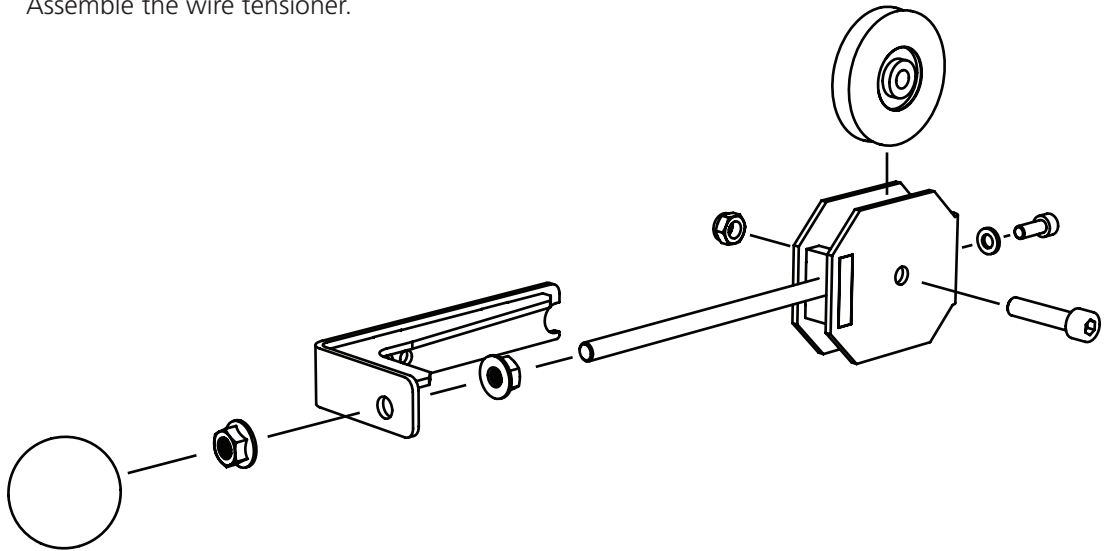
Open the wire tensioner box.

**Wire tensioner
01-00339**





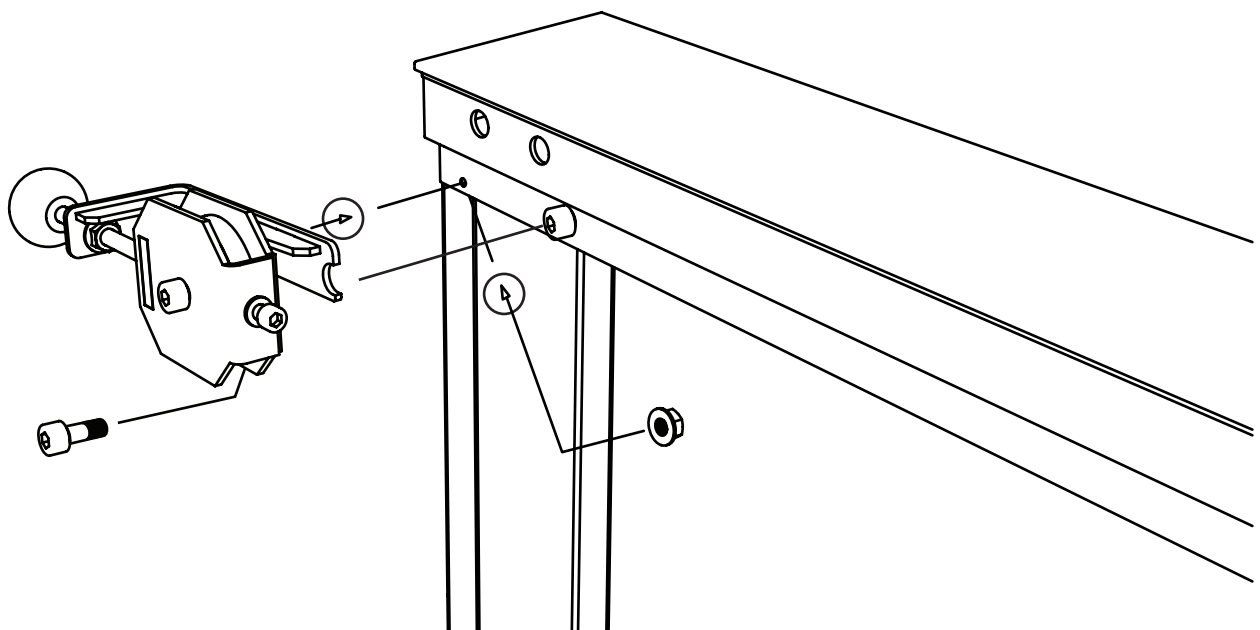
ASSEMBLY: WIRE TENSIONER

- 1** Assemble the wire tensioner.



- 2** Fit the wire tensioner and the support leg to the guide rail.

-  — 1 x — Allen bolt M6x20
-  — 1 x — Flange lock nut M6



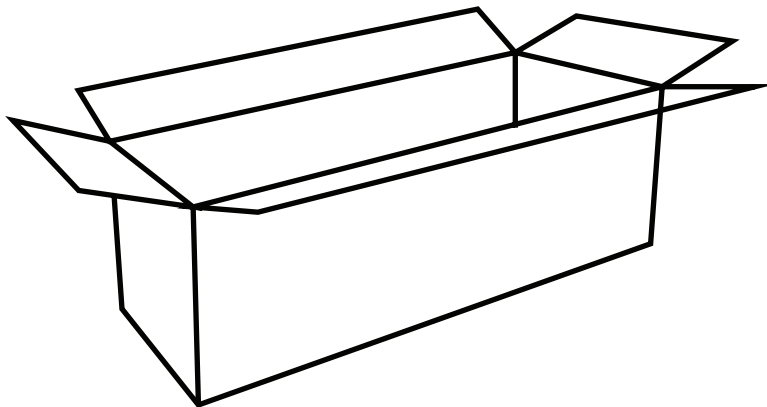


Good job!

To continue with the next step you need the components from the manual feed unit box.

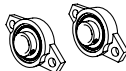


Open the manual feed unit box.

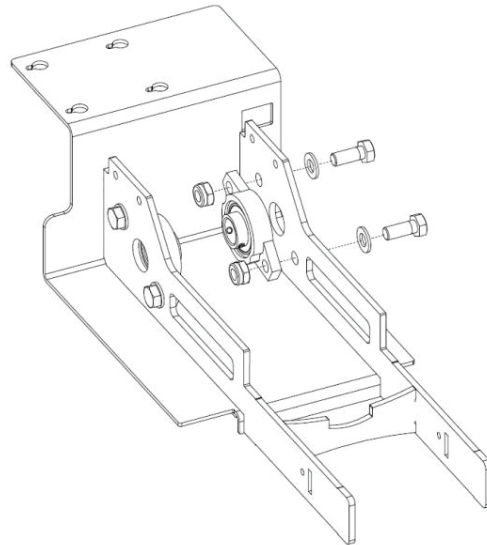
Manual feed unit
6600-000-6015 (400V)
6600-000-6020 (230V)





ASSEMBLY: MANUAL FEED UNIT

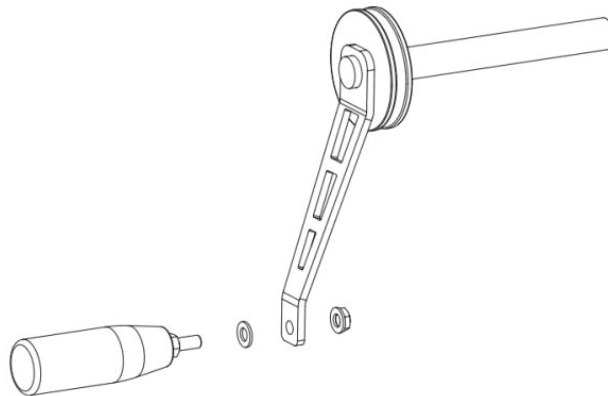
1 Fit the bearings to the chassis.

-  2 x — Bearing
-  — 1 x — Allen bolt M6x20
-  — 1 x — Washer 20 mm

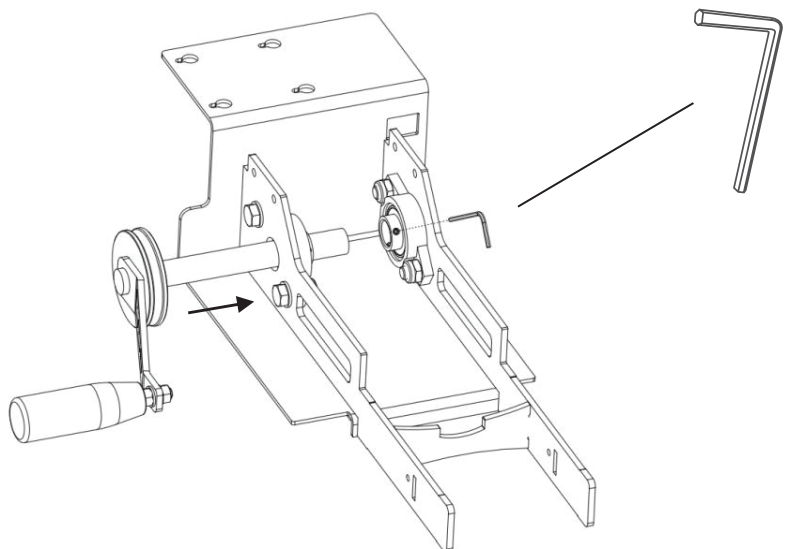


2 Assemble the crank.

-  — 1 x — Washer 20 mm
-  — 1 x — Flange lock nut M6



3 Install the crank in the chassis.



ASSEMBLY: MANUAL FEED UNIT

4

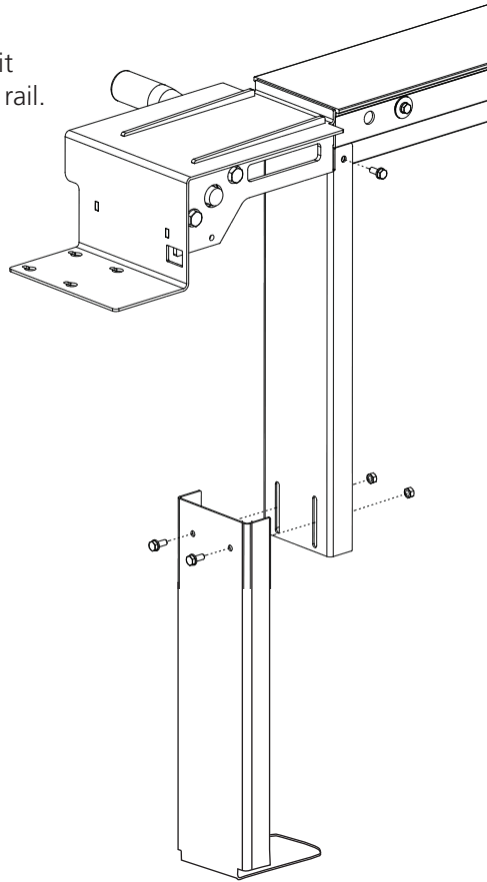
Slide the chassis into the guide rail end, and fit the support leg to the underside of the guide rail.



— 2 x — Allen bolt M6x20



— 2 x — Flange lock nut M6

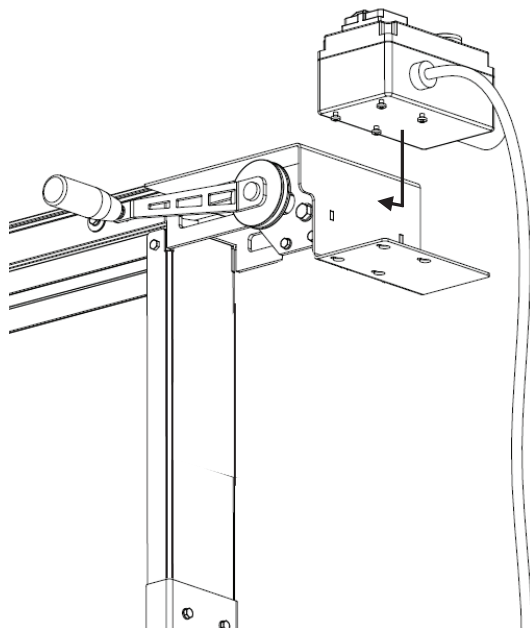


5

Fit the electrical box to the chassis.



— 2 x — Allen bolt M6x20



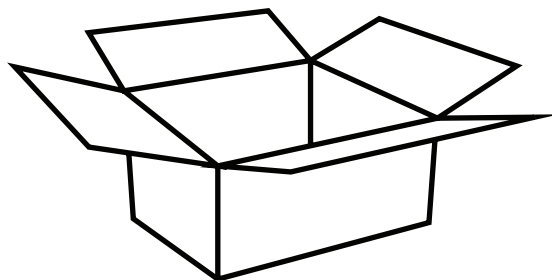


Good job!

Now it is time to assemble the wire and the wire attachment.

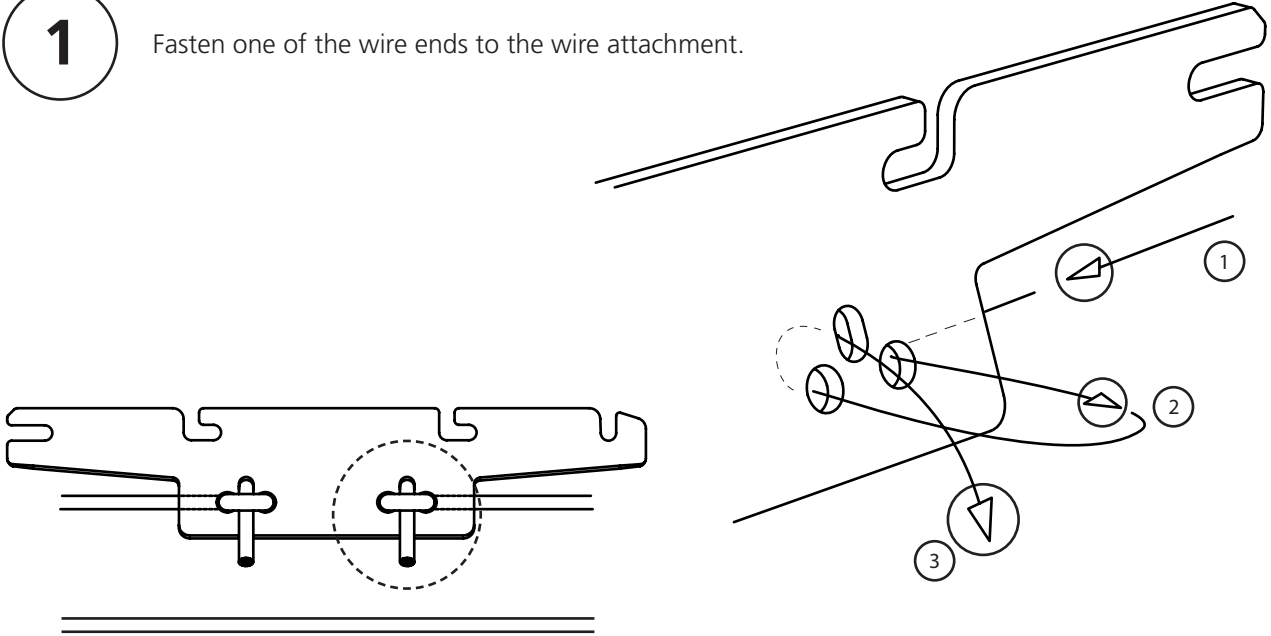
The components needed are in the wire tensioner box.

**Wire tensioner
01-000339**

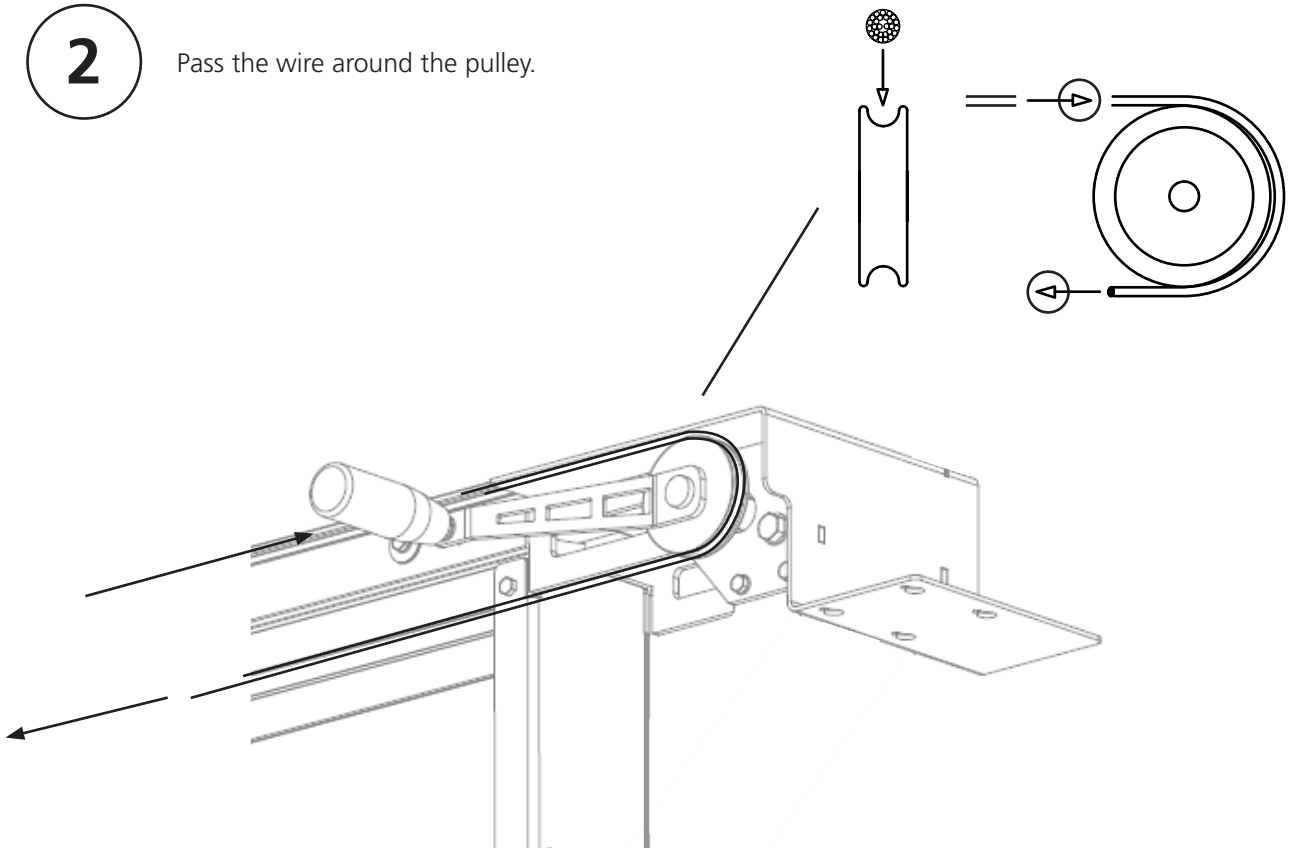


ASSEMBLY: WIRE AND WIRE ATTACHMENT

- 1** Fasten one of the wire ends to the wire attachment.



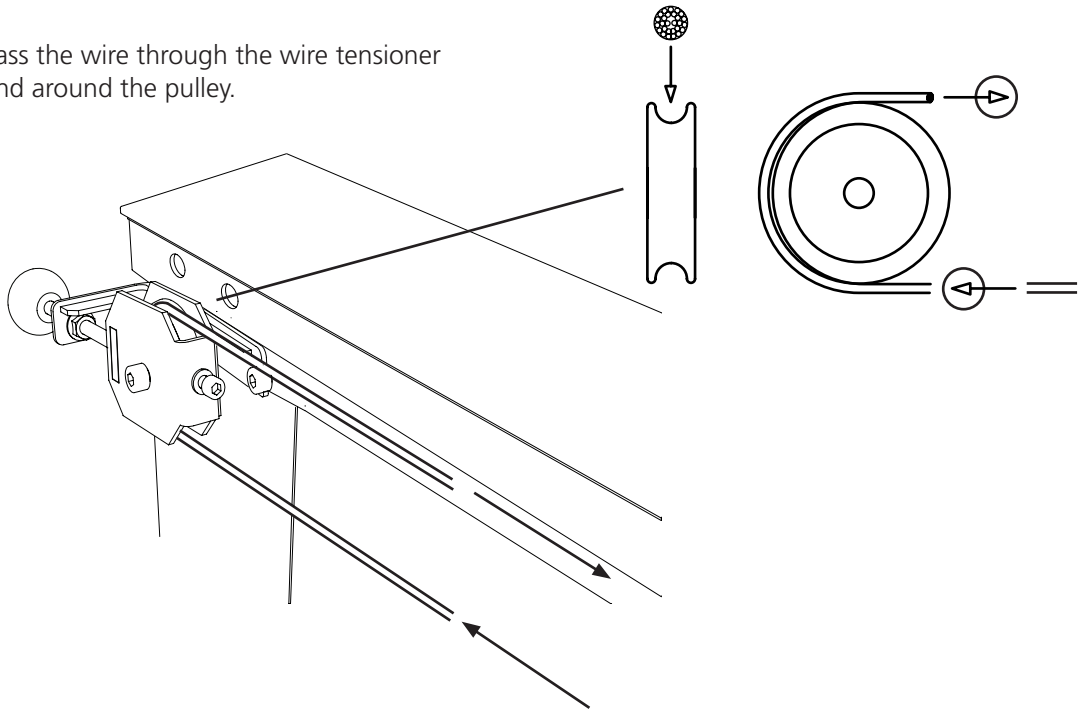
- 2** Pass the wire around the pulley.



ASSEMBLY: WIRE AND WIRE ATTACHMENT

3

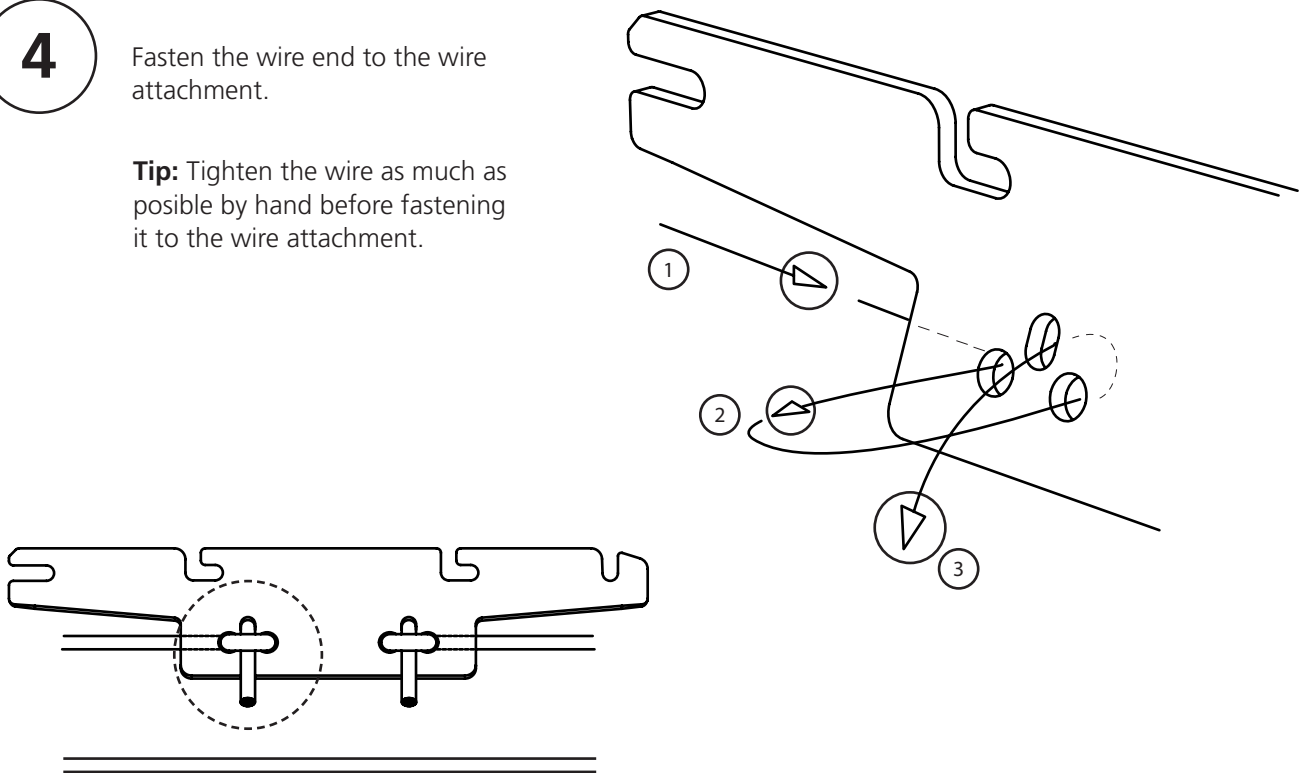
Pass the wire through the wire tensioner and around the pulley.



4

Fasten the wire end to the wire attachment.


Tip: Tighten the wire as much as possible by hand before fastening it to the wire attachment.



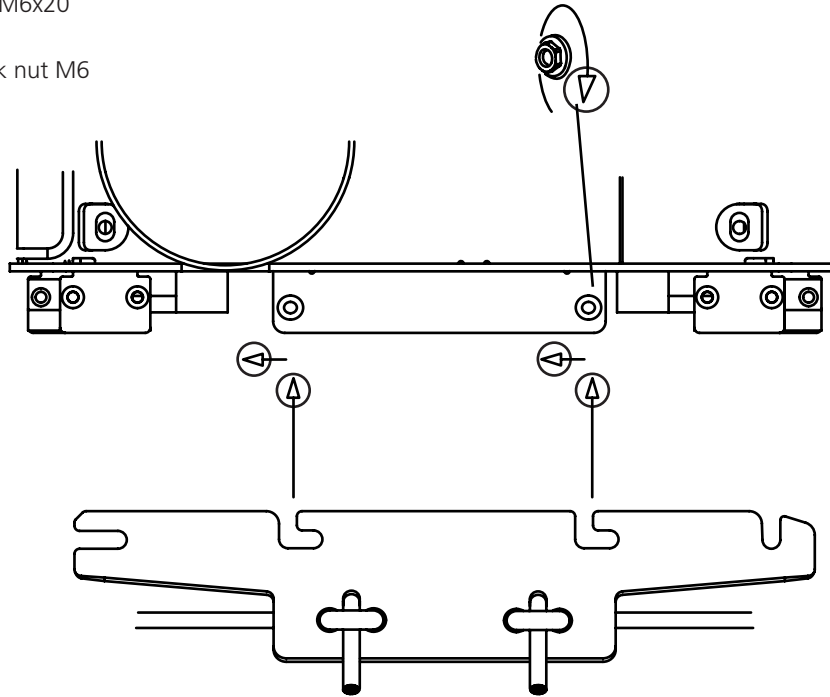
ASSEMBLY: WIRE AND WIRE ATTACHMENT

5

Screw the bolts to the fastening plate on the saw unit. Secure the wire attachment with the nuts.

 - 2 x — Allen bolt M6x20

 - 2 x — Flange lock nut M6

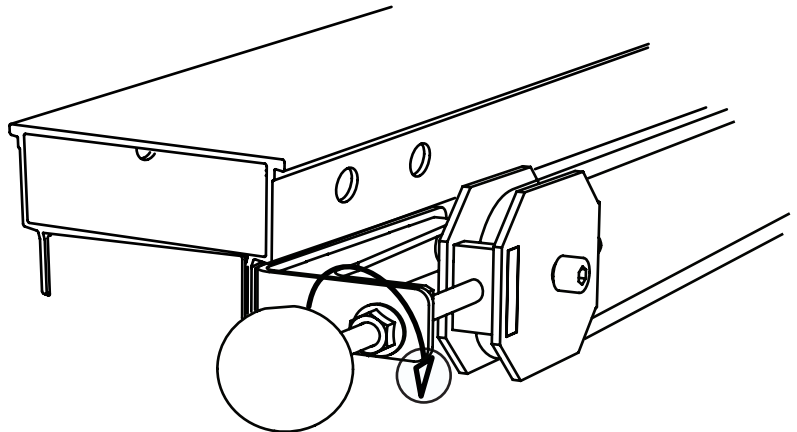


6

Tighten the wire with the wire tensioner.



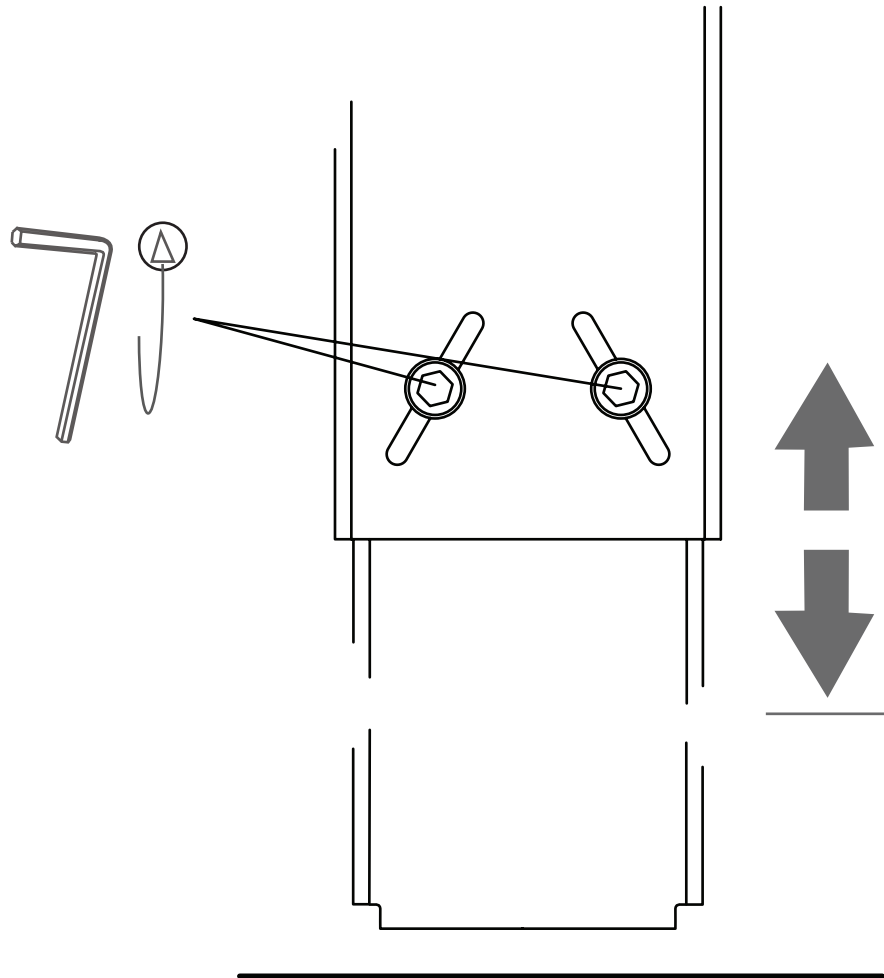
Important: It is important that the manual feed unit has the right wire tension to work satisfactorily. Tighten the wire until it stops slipping in the pulley. The wire tension may need to be readjusted after a period of use.



ADJUSTMENT: SUPPORT LEGS

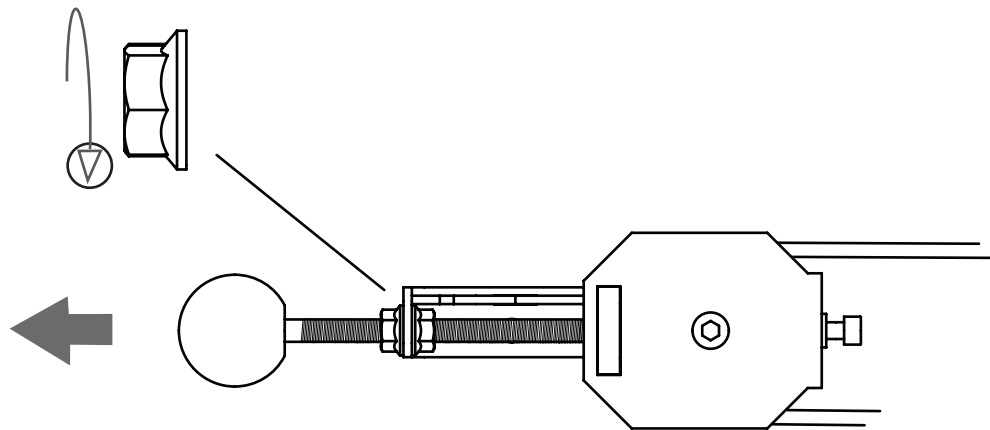
The support legs can be adjusted vertically by loosening the two adjusting bolts. Adjust the height of the support leg until it rests lightly against the ground.

! **Important:** The supports legs should just rest lightly against the ground. The sawmill should put all its weight on the feet of the log lifters.

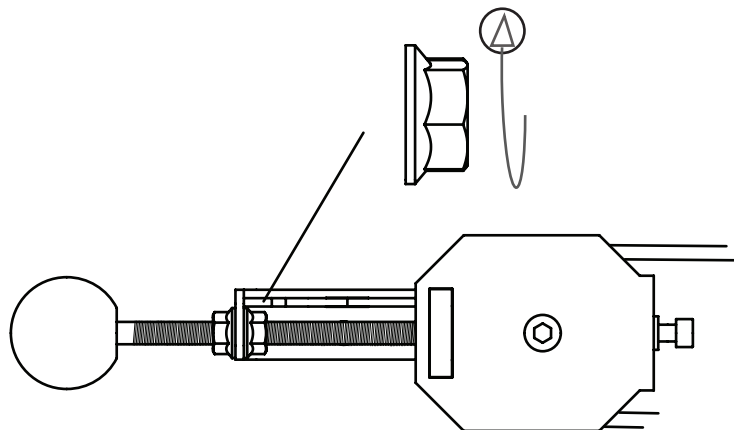


ADJUSTMENT: WIRE TENSIONER

Adjust the wire tension by pulling the ball outwards at the same time as you tighten the tensioning bolt. Note that you have to loosen the counter nut to tighten the wire.



Finish the adjustment by tightening the counter nut.



Important: It is important that the manual feed unit has the right wire tension to work satisfactorily. Tighten the wire until it stops slipping in the pulley. The wire tension may need to be readjusted after a period of use.

MAINTENANCE

Cover the feed unit and the saw unit when they are not being used.

Long-term storage: Clean the feed unit and lubricate the ball bearings. Store the feed unit in a heated place to prevent condensation caused by variations in temperature.

Make sure that the label on the top of the loading ramp is intact and legible. If not, order a new label.



Important: Check that there is no water in the system. The control panel and the motors have a drain plug or a bolt that can be opened to drain out any water that have accumulated. The control panel drain plug is located on the underside of the panel. On the feed motor it is located on the side of the motor. On the electric saw it is either located at the belt pulley or on the side of the motor. Accumulated water in the equipment does not constitute a reason to make complaints.




Danger: Risk of electric shock and that the equipment becomes damaged.




Important: Regularly check that no sawdust is building up in the wire pulleys. Be extra attentive when it rains, or when extremely wet or resinous timber is sawn. If this is overlooked there is risk that the wire wriggles off. Clean the pulleys with a thin piece of rigid plastic, or the like. Do not use tools of steel.

TROUBLESHOOTING

 **Important:** stop the machine immediately if you suspect that something is wrong with

1. the wire tension
2. the track in the pulley

 **Important:** Check the saw unit and the cutting equipment. If the cutting equipment does not cut as it is supposed to, it can result in poor feeding.

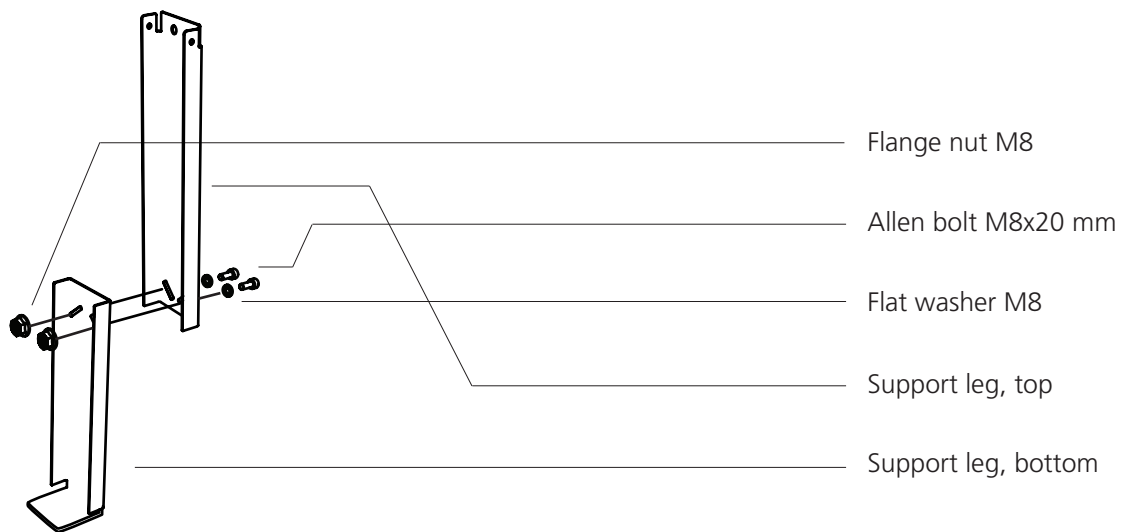
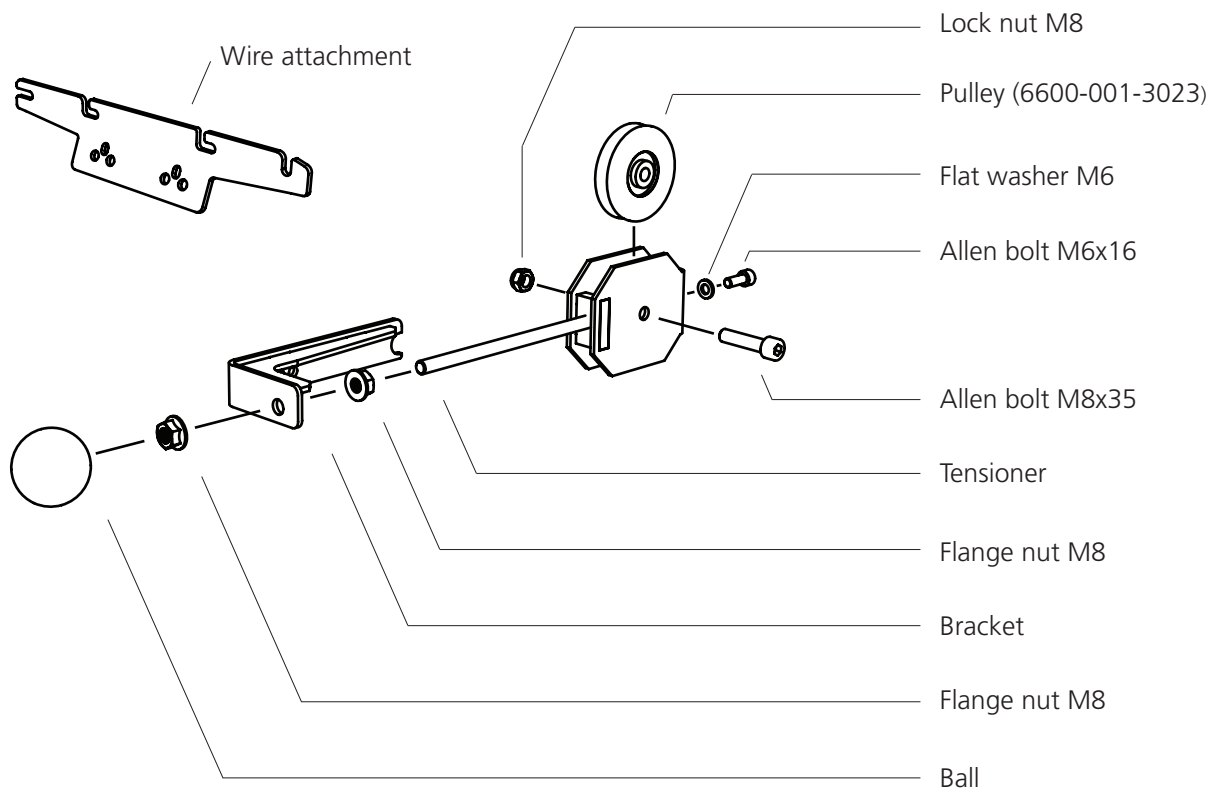
The feed unit does not start:

Do you press the enabling switch button (B5) down while you are trying to start the equipment? The enabling switch button must always be pressed down during sawing and forward feeding.

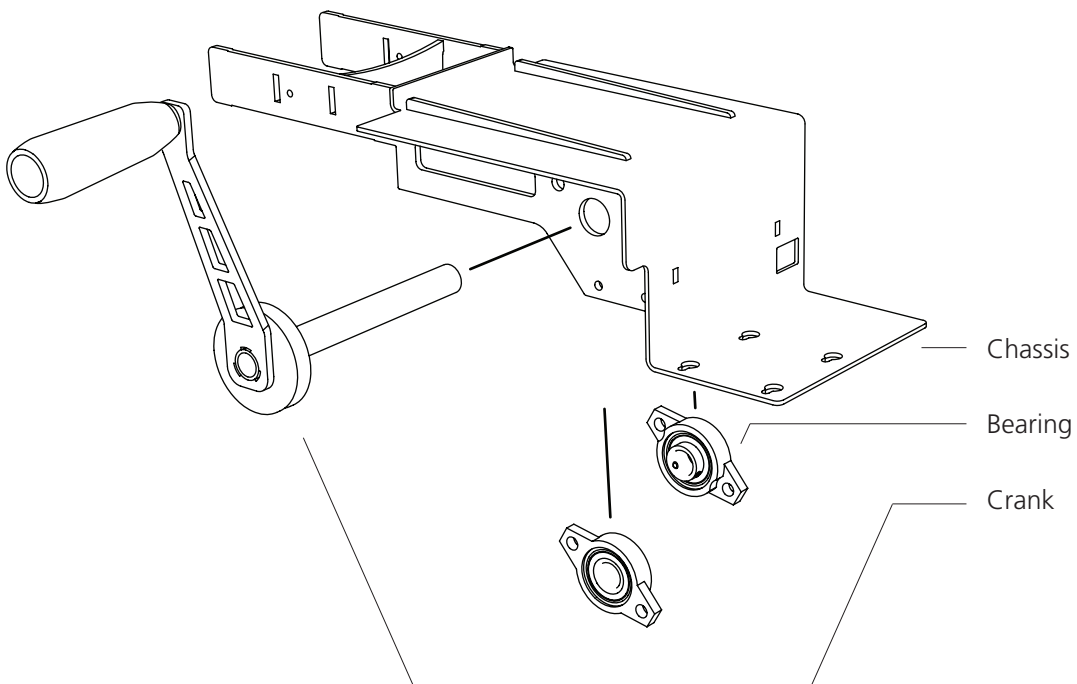
The feed is weak:

- The feed wire is not tightened enough. Check the tension of the wire, see *Adjustment: Wire Tensioner* on page 23.
- Sawdust has accumulated in the pulleys. Clean their tracks, see *Maintenance* on page 24.

EXPLODED VIEW



EXPLODED VIEW





EU declaration of conformity

In accordance with Directive 2006/42/EG, Annex 2A

Logosol AB
Fiskaregatan 2
871 33 Härnösand
Sweden

herewith declares that the **Manual Feed Unit**

has been manufactured in conformity with:
The Machinery Directive 2006/42/EG
The EMC Directive 2004/108/EU

and has been manufactured in conformity with the following
harmonized standards:
EN ISO 12100:2010
EN 60204-1:2006
EN 50370-1, -2.

Notified body, 0404, RISE SMP Swedish Machinery Testing
Institute AB, Box 7035, 750 07 Uppsala, Sweden, has executed
EC type-examination according to Directive 2006/42/EG, article
12, paragraph 3b. The EC type examination certificate has the
number: 0404/17/2408

Mattias Byström, Product Manager, is
responsible for the technical files.

Härnösand 21/08/2018
Malte Frisk, CEO



Fiskaregatan 2, 871 33 Härnösand, SWEDEN
+46 611-182 85 | info@logosol.com | www.logosol.com